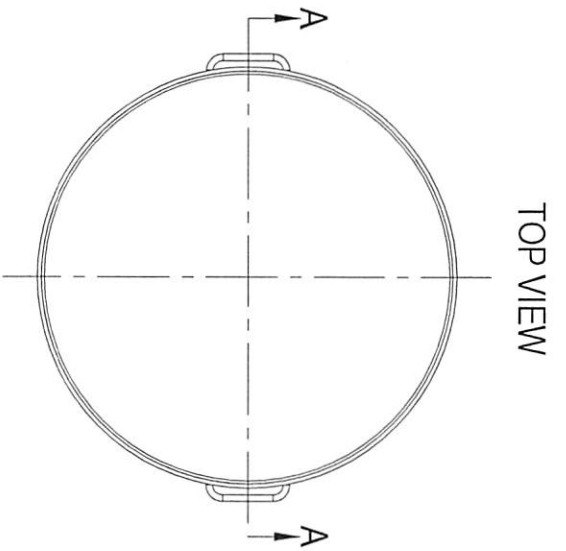
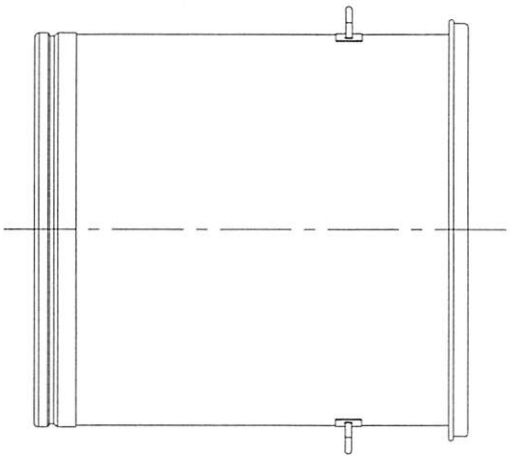


CONFIDENTIAL
Property of
Eagle Stainless Container

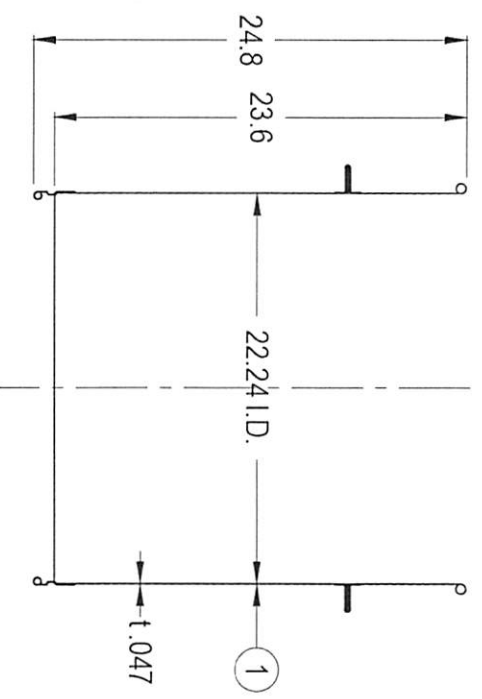
#	Qty.	Description
1	1	ST-565 CONTAINER (T-316L-SS)
2	1	ST-565 LOOSE LID (T-316L-SS)
3	2	SOLID-BAR HANDLES (T-304-SS)
4	1	SKIRT (T-304-SS)



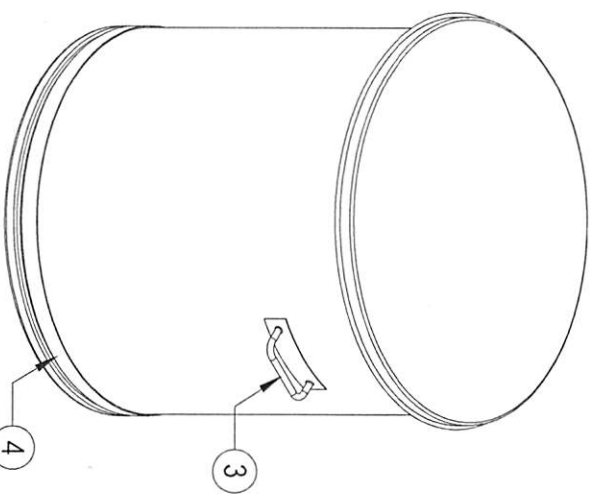
TOP VIEW



FRONT VIEW



A-A SECTION VIEW



PROPERTY OF ESC. DO NOT DUPLICATE OR DISTRIBUTE

EAGLE
816 NINA WAY
WARMINGSTER PA 18974
TEL#: 215-957-9333
FAX#: 215-957-9330
www.eaglestainless.com

Customer and/or Vendor agrees to keep confidential the contents of any documents and materials including but not limited to Quotation(s), Proposal(s), Purchase Order(s), and Drawing(s) that Eagle Stainless provides to Customer and/or Vendor and acknowledges that they are the sole property of Eagle Stainless. Customer and/or Vendor agrees to not disclose Eagle Stainless information to any third party without the written consent of Eagle Stainless. Eagle Stainless reserves the right to disclose of such confidential information by any of Customer and/or Vendor's employees or agents.

DRAWING# : ST565A-1-01A	DRAWN BY: BEN S KWOK	DATE: 10/31/2016	TOLERANCES UNLESS OTHERWISE SPECIFIED
MATERIAL : See Table on Drawing for Detail	(1) APPROVED BY:	(2) APPROVED BY:	THREE PLACE DECIMAL
CAPACITY : 140.0 L (ACTUAL CAPACITY: 148.5 L)	NOTE: ALL DIMENSIONS ARE INCHES	DO NOT SCALE	TWO PLACE DECIMAL
FINISH : 10 Ra (ELECTROPOLISHED OPTIONAL)			ONE PLACE DECIMAL
MODEL # : ST-565	APPROVED BY (CUSTOMER SIGNATURE):		FRACTIONS
			ANGULARITY
			RADIUS