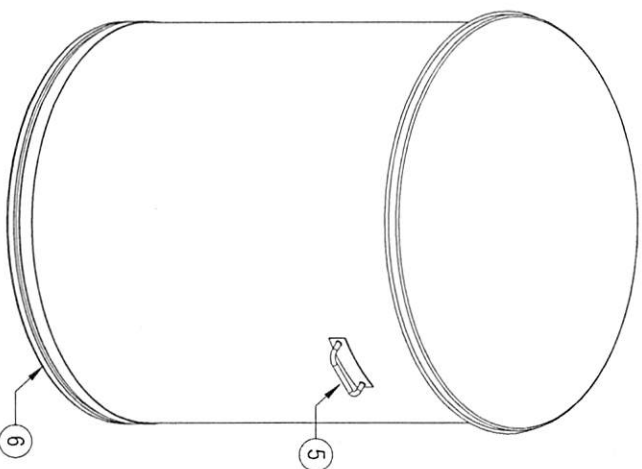
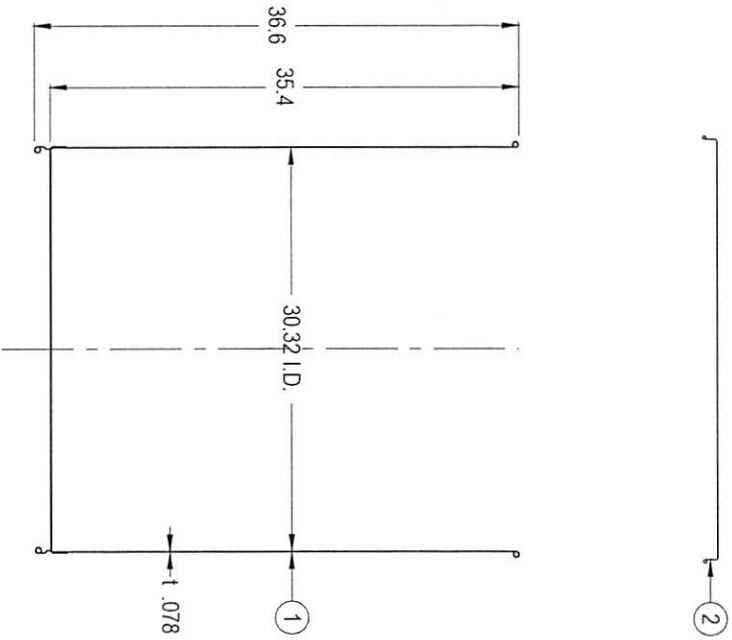
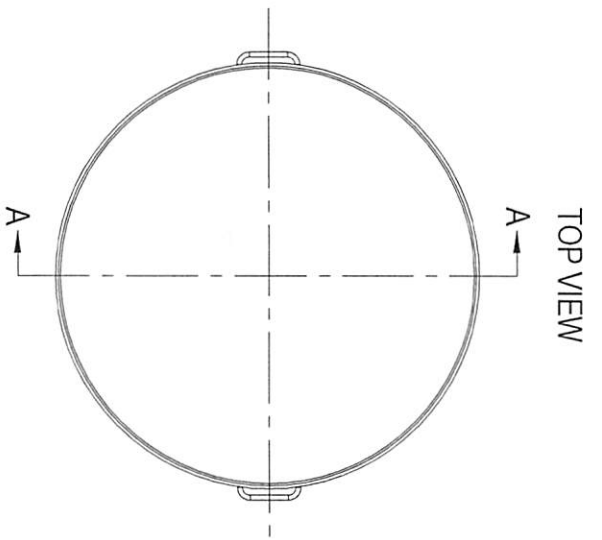


CONFIDENTIAL
Property of
Eagle Stainless Container

#	Qty.	Description
1	1	ST-77 CONTAINER (T-316L-SS)
2	1	ST-77 LOOSE LID (T-316L-SS)
3	2	SOLID-BAR HANDLES (T-304-SS)
4	1	SKIRT (T-304-SS)



PROPERTY OF ESC. DO NOT DUPLICATE OR DISTRIBUTE.

EAGLE
STAINLESS
www.eaglestainless.com

816 NINA WAY
WARRMINSTER PA 18974
TEL#: 215-957-9333
FAX#: 215-957-9330

DRAWING#: S177A-1-01A
MATERIAL: See Table on Drawing for Detail
CAPACITY: 400.0L (ACTUAL CAPACITY: 415.2L)
FINISH: 10 Ra (ELECTROPOISHED OPTIONAL)
MODEL #: ST-77

DRAWN BY: BEN S. KWON
DATE: 02/08/2018
NOTE: ALL DIMENSIONS ARE INCHES.
DO NOT SCALE
APPROVED BY (CUSTOMER SIGNATURE):

TOLERANCES UNLESS OTHERWISE SPECIFIED	
THREE PLACE DECIMAL	+/- .010"
TWO PLACE DECIMAL	+/- .125"
ONE PLACE DECIMAL	+/- .250"
FRACTIONS	+/- .125"
ANGULARITY	+/- .172 deg
RADIUS	+/- .125" - .031"