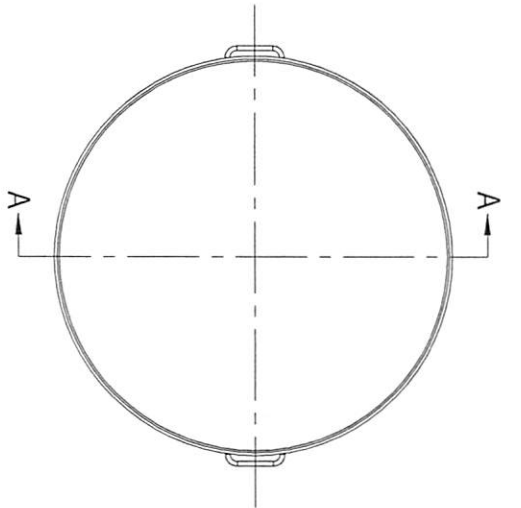
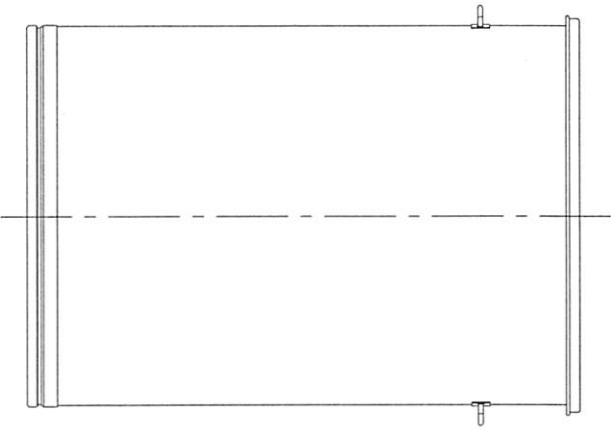


TOP VIEW

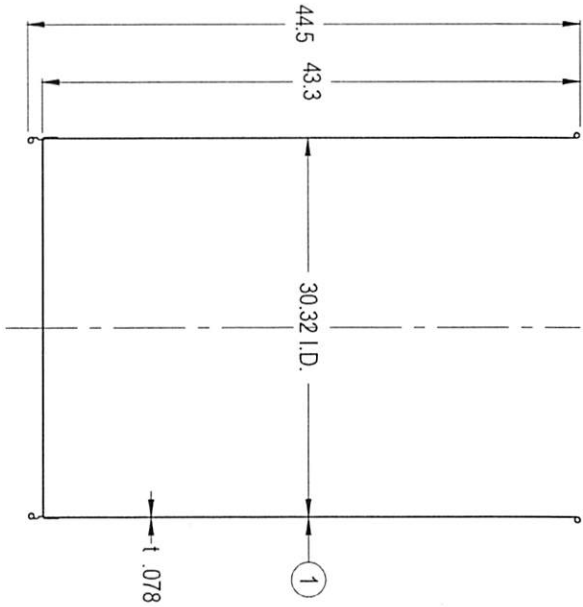


CONFIDENTIAL
Property of
Eagle Stainless Container

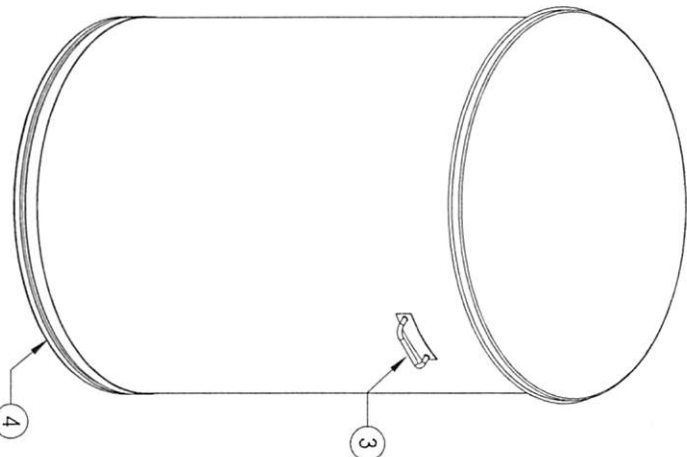
#	Qty.	Description
1	1	ST-77H CONTAINER (T-316L-SS)
2	1	ST-77H LOOSE LID (T-316L-SS)
3	2	SOLID-BAR HANDLES (T-304-SS)
4	1	SKIRT (T-304-SS)



FRONT VIEW



A-A SECTION VIEW

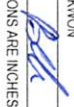


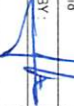
PROPERTY OF ESC. DO NOT DUPLICATE OR DISTRIBUTE.

EAGLE
STAINLESS
www.eaglestainless.com

816 NINA WAY
WARRMUNSTER PA 18974
TEL#: 215-957-9333
FAX#: 215-957-9330

DRAWING# : ST77H-101A
MATERIAL : See Table on Drawing for Detail
CAPACITY : 500.0 L (ACTUAL CAPACITY : 508.4 L)
FINISH : 10 Ra (ELECTROPOISHED OPTIONAL)
MODEL # : ST-77H

DRAWN BY : BEN S. KWON
(1) APPROVED BY: 
NOTE: ALL DIMENSIONS ARE INCHES
DO NOT SCALE
APPROVED BY (CUSTOMER SIGNATURE):

DATE : 02/09/2018
(2) APPROVED BY: 

TOLERANCES UNLESS OTHERWISE SPECIFIED	
THREE PLACE DECIMAL	+/- .010"
TWO PLACE DECIMAL	+/- .125"
ONE PLACE DECIMAL	+/- .250"
FRACTIONS	+/- .125"
ANGULARITY	+/- .1/2 deg
RADIUS	+/- .1/32" - .031"