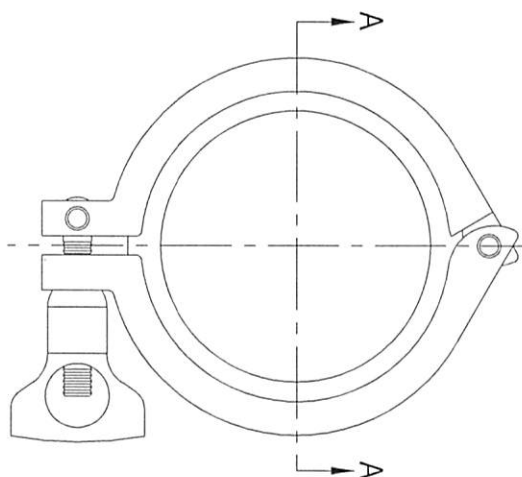
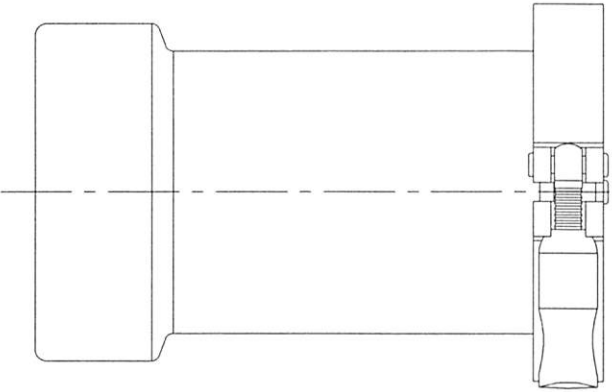


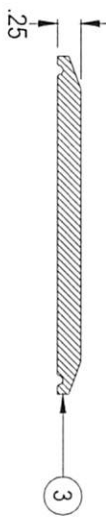
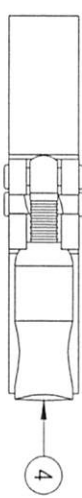
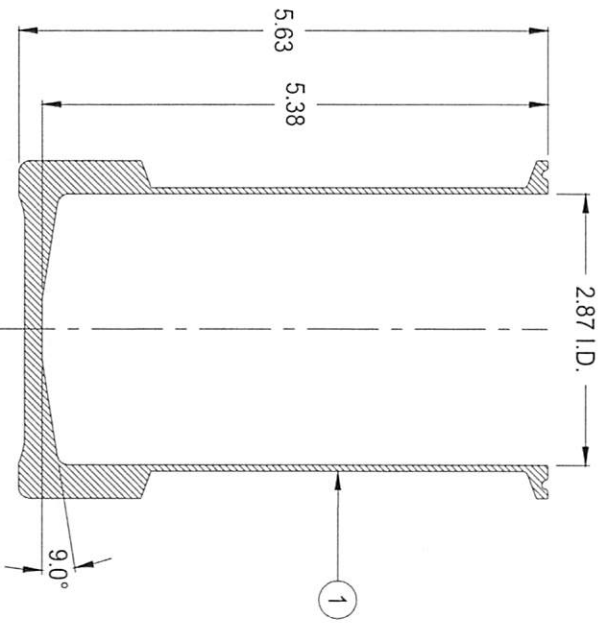
TOP VIEW



FRONT VIEW



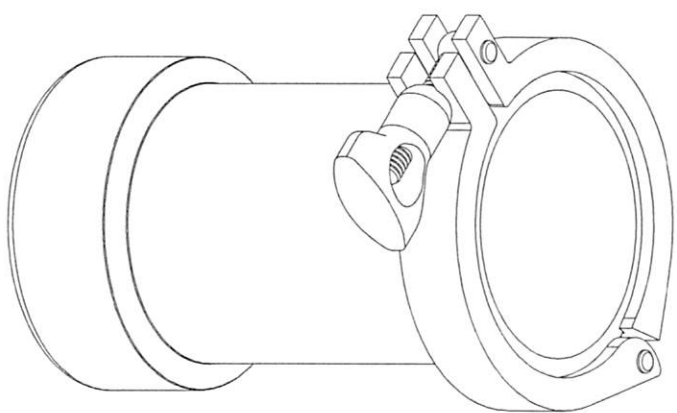
A-A SECTION VIEW



#	Qty.	Description
1	1	STB-500 VESSEL with 3" TC OPENING (T-316L-SS, NO WELD)
2	1	3" TC GASKET
3	1	3" TC ENDCAP (T-316L-SS)
4	1	3" HEAVY-DUTY TC CLAMP (T-304-SS)

** TC = TRI CLAMP

CONFIDENTIAL
Property of
Eagle Stainless Container



EAGLE 816 NINA WAY
WARMINGSTER PA 18974
TEL#: 215-957-9333
STAINLESS FAX#: 215-957-9330
www.eaglestainless.com

Customer and/or Vendor agrees to keep confidential the contents of any documents and materials including but not limited to Quotation(s) (include(s)), Purchase Order(s), and Drawing(s) that Eagle Stainless provides to Customer and/or Vendor and acknowledges that they are trade secrets of Eagle Stainless. Customer and/or Vendor agrees to indemnify Eagle Stainless for all damages (including all attorney's fees and costs incurred) in connection with any unauthorized use or disclosure of such confidential information by any of Customer and/or Vendor's employees or agents.

DRAWING#: STB900A-1-01A
MATERIAL: See Table on Drawing for Detail
CAPACITY: 500.0 ml (ACTUAL CAPACITY: 557.0 ml)
FINISH: 10 Ra (ELECTROPOLISHED)
MODEL #: STB-500

DRAWN BY: BEN S. KWON
(1) APPROVED BY: [Signature]
NOTE: ALL DIMENSIONS ARE IN INCHES.
DO NOT SCALE.
APPROVED BY (CUSTOMER SIGNATURE):

DATE: 09/26/2017
(2) APPROVED BY: [Signature]

TOLERANCES UNLESS OTHERWISE SPECIFIED	
THREE PLACE DECIMAL	+/- .010"
TWO PLACE DECIMAL	+/- .050"
ONE PLACE DECIMAL	+/- .100"
FRACTIONS	+/- .1/32"
ANGULARITY	+/- 1/2 deg

PROPERTY OF ESC. DO NOT DUPLICATE OR DISTRIBUTE.