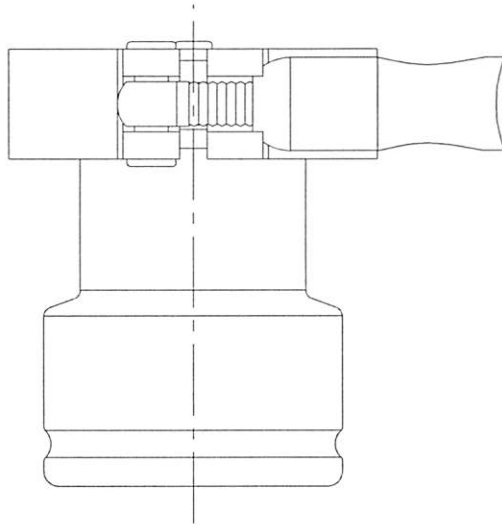
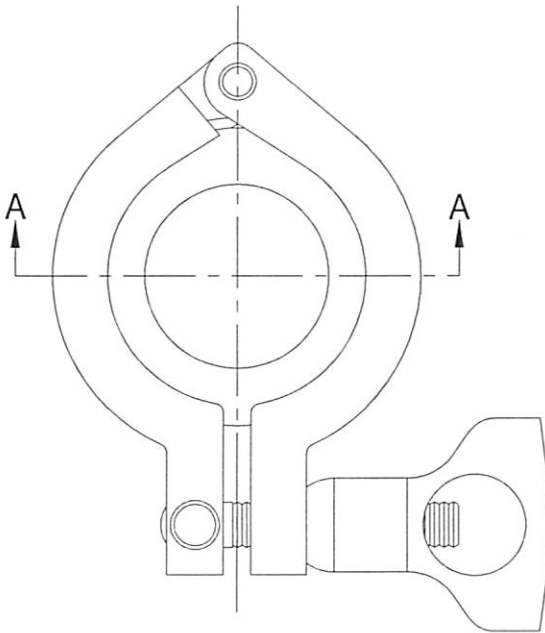
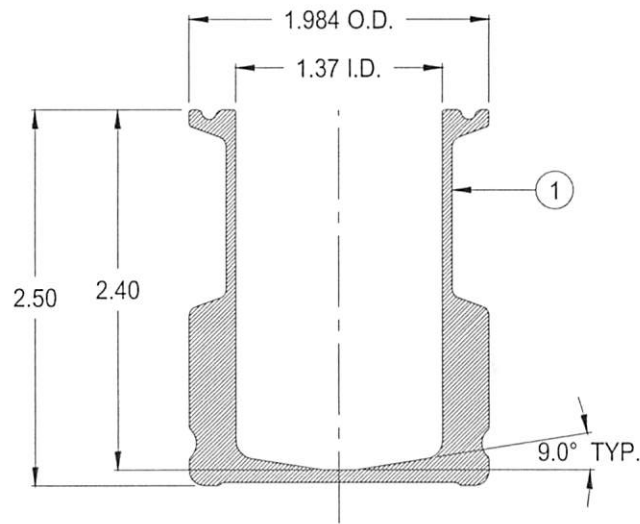
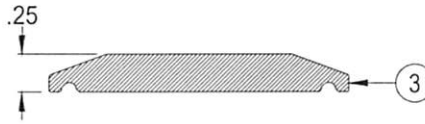
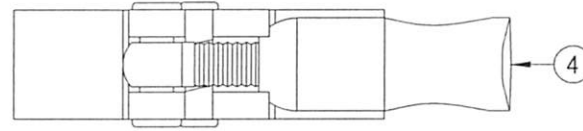


TOP VIEW



FRONT VIEW

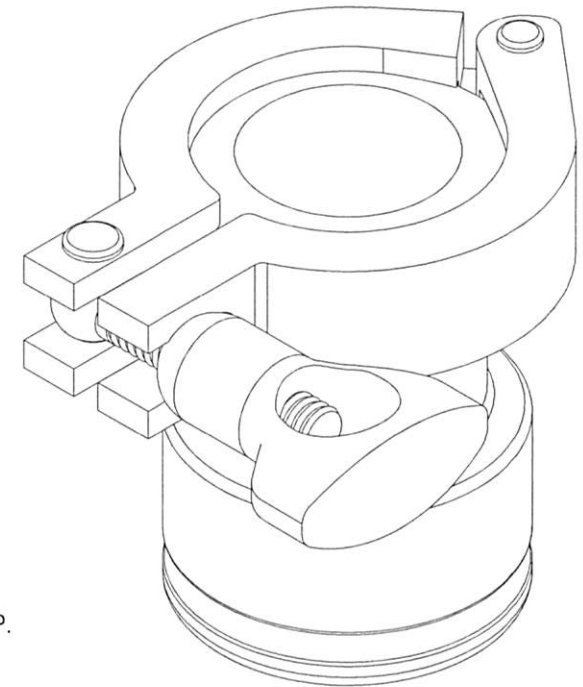


A-A SECTION VIEW

#	Qty.	Description
1	1	STB-55 (55 ml) VESSEL with 1-1/2" TC OPENING (T-316L-SS)
2	1	1-1/2" TC GASKET
3	1	1-1/2" TC ENDCAP (T-316L-SS)
4	1	HEAVY-DUTY TC CLAMP (T-304-SS)

\*\* TC = TRI CLAMP

**CONFIDENTIAL**  
Property of  
Eagle Stainless Container



PROPERTY OF ESC. DO NOT DUPLICATE OR DISTRIBUTE.

<b>EAGLE</b> STAINLESS www.eaglestainless.com	816 NINA WAY WARMINSTER PA 18974 TEL#: 215-957-9333 FAX#: 215-957-9330	Customer and/or Vendor agrees to keep confidential the contents of any documents and materials including but not limited to Quotation(s), Invoice(s), Purchase Order(s), and Drawing(s) that Eagle Stainless provides to Customer and/or Vendor and acknowledges that they are trade secrets of Eagle Stainless. Customer and/or Vendor agrees to indemnify Eagle Stainless for all damages (including all attorneys' fees and costs incurred) in connection with any unauthorized use or disclosure of such confidential information by any of Customer and/or Vendor's employees or agents.	DRAWING# : STB55A-1-01B	DRAWN BY : BEN S. KWON	DATE : 02/06/2017	TOLERANCES UNLESS OTHERWISE SPECIFIED THREE PLACE DECIMAL +/- .010" TWO PLACE DECIMAL +/- .050" ONE PLACE DECIMAL +/- .100" FRACTIONS +/- 1/32" ANGULARITY +/- 1/2 deg.
	MATERIAL : See Table on Drawing for Detail.	(1) APPROVED BY : <i>[Signature]</i>	(2) APPROVED BY : <i>[Signature]</i>			
	CAPACITY : 55.0 ml. (ACTUAL CAPACITY : 56.0 ml.)	NOTE : ALL DIMENSIONS ARE INCHES.				
	FINISH : 10 Ra (ELECTROPOLISHED OPTIONAL)	DO NOT SCALE.				
	MODEL # : STB-55	APPROVED BY (CUSTOMER SIGNATURE) :				