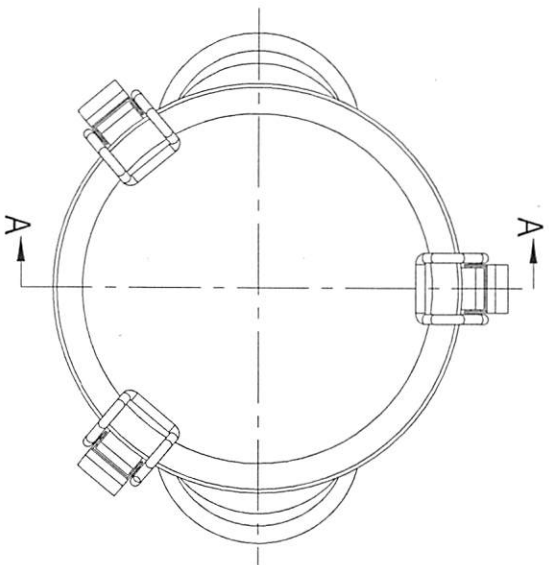


TOP VIEW

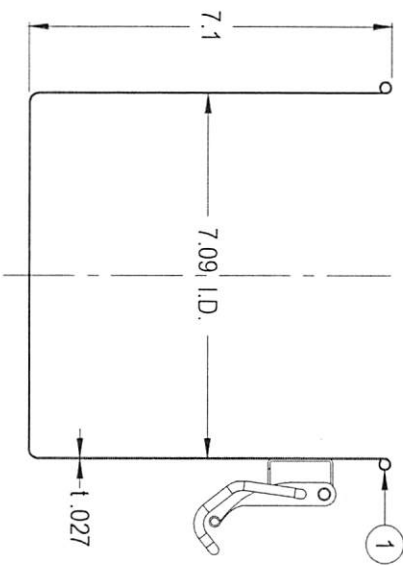
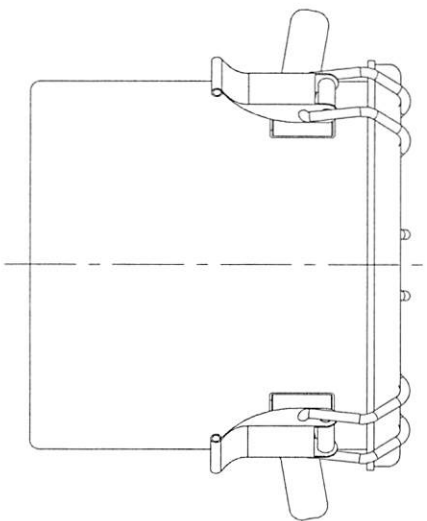


**CONFIDENTIAL**  
Property of  
Eagle Stainless Container

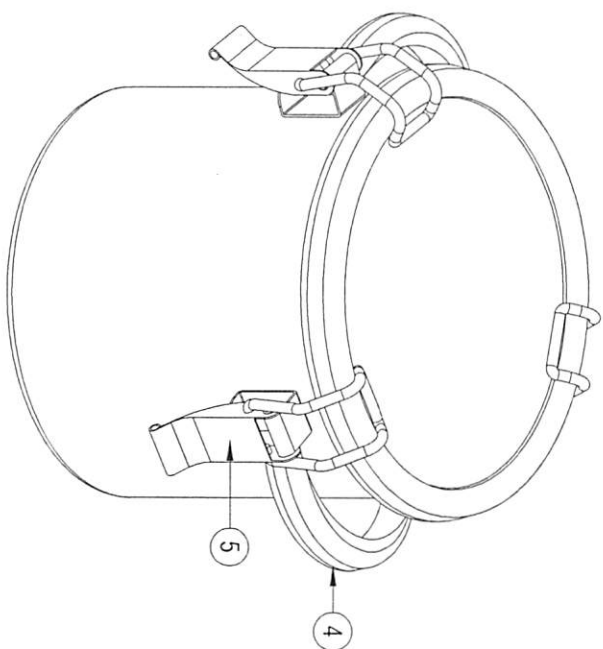
#	Qty.	Description
1	1	CTH-18 CONTAINER (T-316L-SS)
2	1	CTH-18 GASKET
3	1	CTH-18 LID (T-316L-SS)
4	2	HOLLOW HANDLES (T-304-SS)
5	3	SPRING CLIPS (T-304-SS)



FRONT VIEW



A-A SECTION VIEW



PROPERTY OF ESC. DO NOT DUPLICATE OR DISTRIBUTE.

**EAGLE**  
STAINLESS  
www.eaglestainless.com

816 NINA WAY  
WARMINSTER PA 18974  
TEL#: 215-957-9333  
FAX#: 215-957-9330

DRAWING#: CTH-18A-1-01A  
MATERIAL: See Table on Drawing for Detail.  
CAPACITY: 4.0 L (ACTUAL CAPACITY: 4.5 L)  
FINISH: 10 Ra (ELECTRO-POLISHED OPTIONAL)  
MODEL #: CTH-18

DRAWN BY: BEN S. KWON  
DATE: 11/11/2016  
NOTE: ALL DIMENSIONS ARE IN INCHES.  
DO NOT SCALE.

(1) APPROVED BY: *[Signature]*  
(2) APPROVED BY: *[Signature]*

TOLERANCES UNLESS OTHERWISE SPECIFIED	
THREE PLACE DECIMAL	+/- .010"
TWO PLACE DECIMAL	+/- .100"
ONE PLACE DECIMAL	+/- .200"
FRACTIONS	+/- .132"
ANGULARITY	+/- .1/2 deg