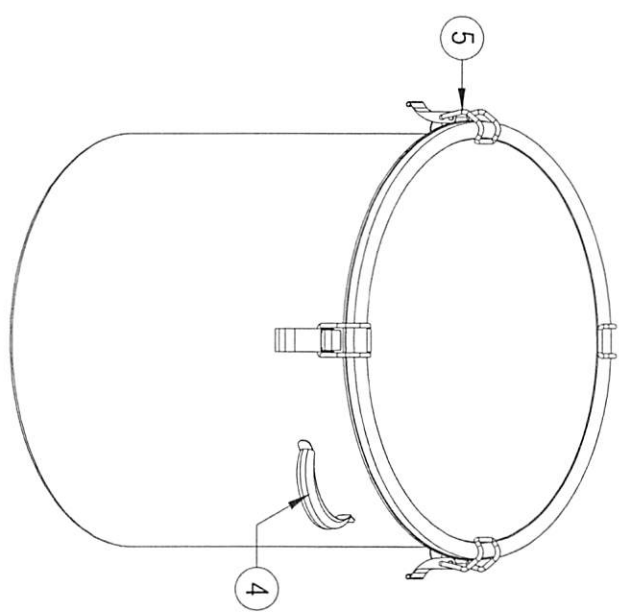
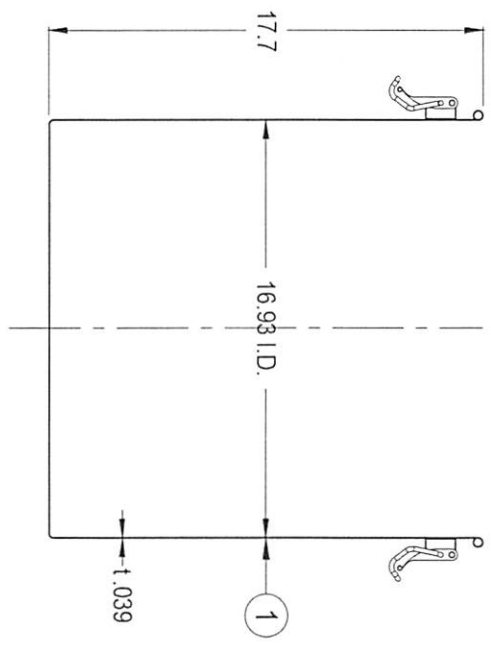
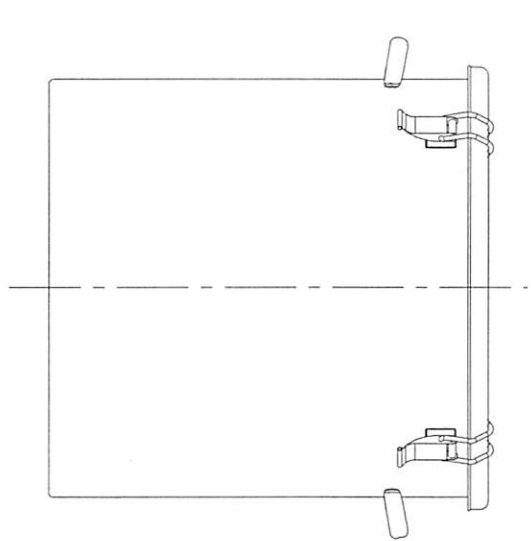
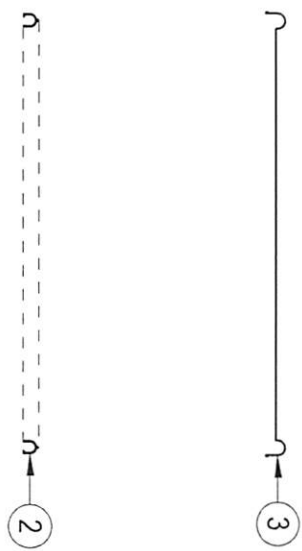
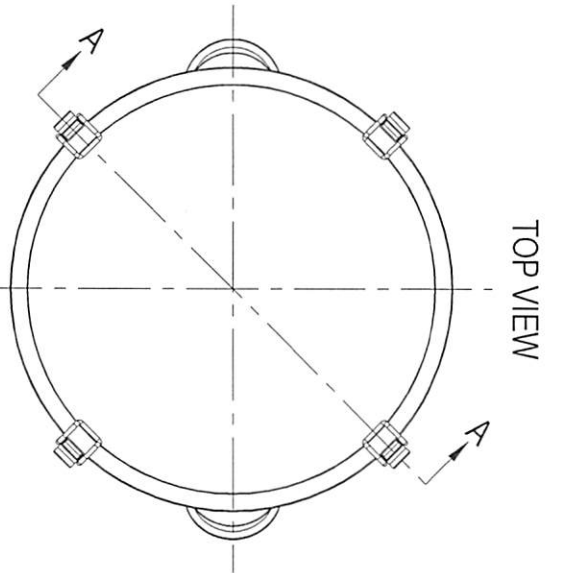


CONFIDENTIAL
Property of
Eagle Stainless Container

#	Qty.	Description
1	1	CTH-43 CONTAINER (T-316L-SS)
2	1	CTH-43 GASKET
3	1	CTH-43 LID (T-316L-SS)
4	2	HOLLOW HANDLES (T-304-SS)
5	4	SPRING CLIPS (T-304-SS)



FRONT VIEW

A-A SECTION VIEW

PROPERTY OF ESC. DO NOT DUPLICATE OR DISTRIBUTE.

EAGLE
STAINLESS
www.eaglestainless.com

816 NINA WAY
WARMINSTER PA 18974
TEL#: 215-957-9333
FAX#: 215-957-9330

DRAWING#: CTH43A-1-01A
MATERIAL: See Table on Drawing for Detail
CAPACITY: 60.0 L (ACTUAL CAPACITY: 65.0 L)
FINISH: #10 Ra (ELECTROPOLISHED OPTIONAL)
MODEL #: CTH-43

DRAWN BY: BEN S. K...
(1) APPROVED BY: [Signature]
NOTE: ALL DIMENSIONS ARE IN INCHES

DATE: 01/27/2017
(2) APPROVED BY: [Signature]
DO NOT SCALE
APPROVED BY (CUSTOMER SIGNATURE):

TOLERANCES UNLESS OTHERWISE SPECIFIED	
THREE PLACE DECIMAL	+/- .010"
TWO PLACE DECIMAL	+/- .125"
ONE PLACE DECIMAL	+/- .250"
FRACTIONS	+/- .132"
ANGULARITY	+/- .12 deg
RADIUS	+/- .132" - .031"