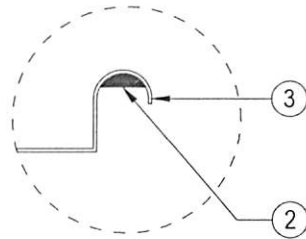
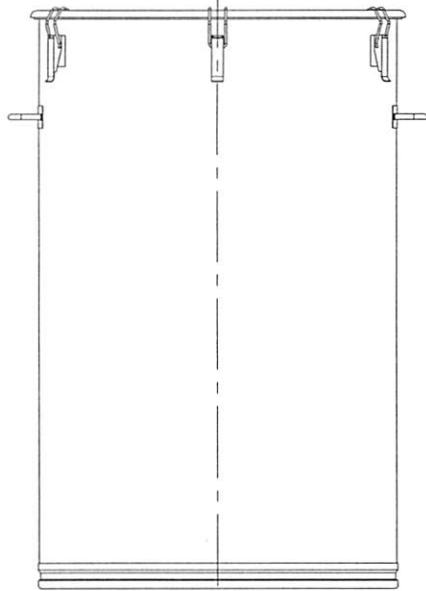


DETAIL "B" (SCALE = 5 : 1)

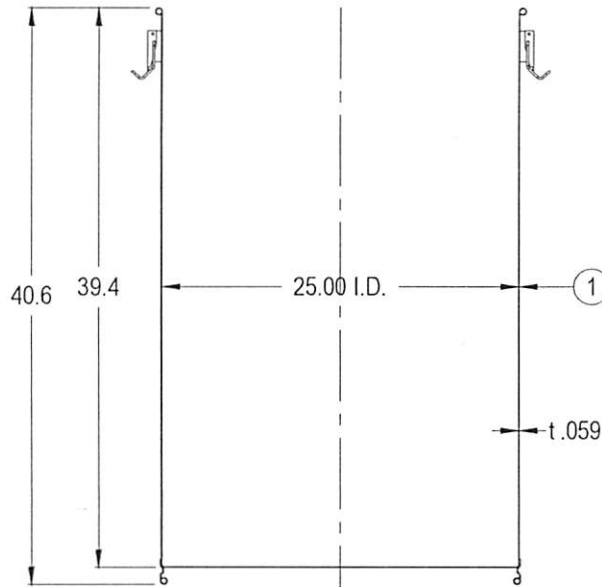


CONFIDENTIAL  
Property of  
Eagle Stainless Container

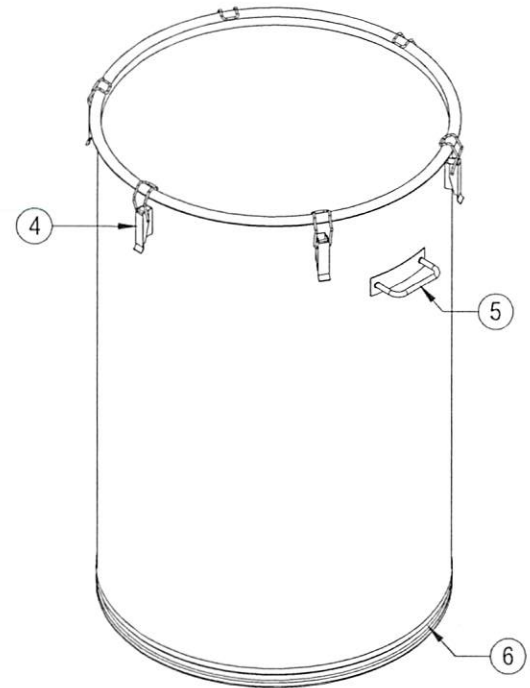
#	Qty.	Description
1	1	CTH-635 CONTAINER (T-316L-SS)
2	1	CTH-635 GASKET
3	1	CTH-635 LID (T-316L-SS)
4	6	SPRING CLIPS (T-304-SS)
5	2	SOLID-BAR HANDLES (T-304-SS)
6	1	SKIRT (T-304-SS)



FRONT VIEW



A-A SECTION VIEW



PROPERTY OF ESC. DO NOT DUPLICATE OR DISTRIBUTE.

**EAGLE** STAINLESS  
816 NINA WAY  
WARMINSTER PA 18974  
TEL#: 215-957-9333  
FAX#: 215-957-9330  
www.eaglestainless.com

Customer and/or Vendor agrees to keep confidential the contents of any documents and materials including but not limited to Quotation(s), Invoice(s), Purchase Order(s), and Drawing(s) that Eagle Stainless provides to Customer and/or Vendor and acknowledges that they are trade secrets of Eagle Stainless. Customer and/or Vendor agrees to indemnify Eagle Stainless for all damages (including all attorneys' fees and costs incurred) in connection with any unauthorized use or disclosure of such confidential information by any of Customer and/or Vendor's employees or agents.

DRAWING# : CTH635A-1-01A  
MATERIAL : See Table on Drawing for Detail  
CAPACITY : 300.0 L (ACTUAL CAPACITY : 314.2 L)  
FINISH : 10 Ra (ELECTROPOLISHED OPTIONAL)  
MODEL# : CTH-635

DRAWN BY : BEN S. KWON  
(1) APPROVED BY : *[Signature]*  
NOTE : ALL DIMENSIONS ARE INCHES.  
DO NOT SCALE.  
APPROVED BY (CUSTOMER SIGNATURE):

DATE : 11/21/2016  
(2) APPROVED BY : *[Signature]*

TOLERANCES UNLESS OTHERWISE SPECIFIED	
THREE PLACE DECIMAL	+/- .010"
TWO PLACE DECIMAL	+/- .125"
ONE PLACE DECIMAL	+/- .250"
FRACTIONS	+/- 1/32"
ANGULARITY	+/- 1/2 deg.
RADIUS	+/- 1/32" - .031"