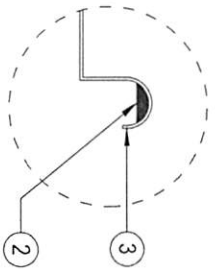


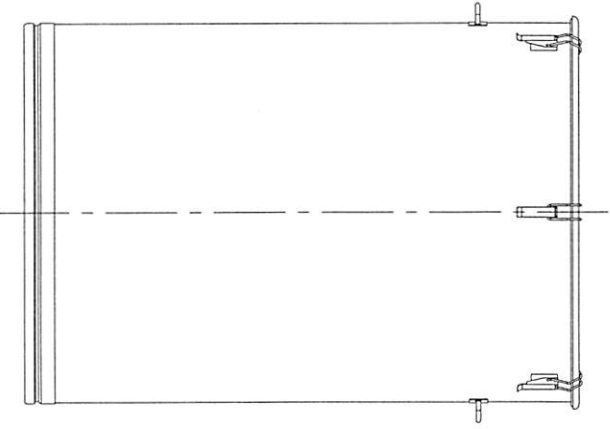
TOP VIEW

CONFIDENTIAL
Property of
Eagle Stainless Container

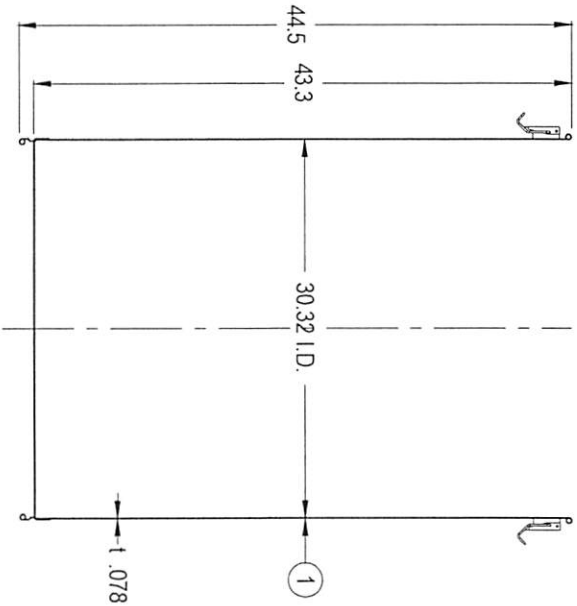


DETAIL "B" (SCALE = 5 : 1)

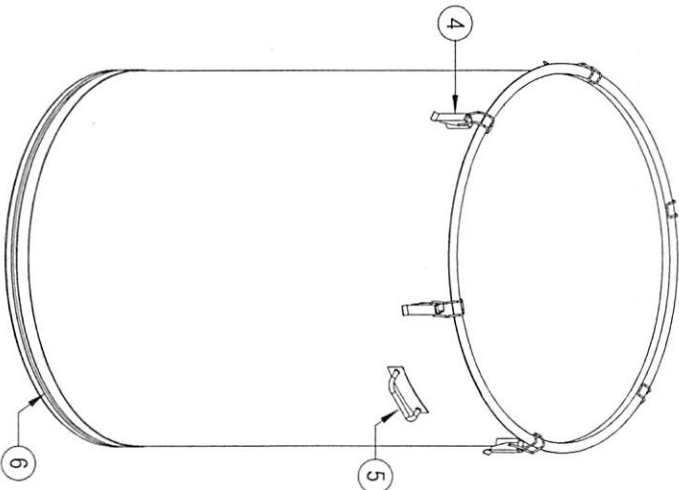
#	Qty.	Description
1	1	CTH-77H CONTAINER (T-316L-SS)
2	1	CTH-77H GASKET
3	1	CTH-77H LID (T-316L-SS)
4	6	SPRING CLIPS (T-304-SS)
5	2	SOLID-BAR HANDLES (T-304-SS)
6	1	SKIRT (T-304-SS)



FRONT VIEW



A-A SECTION VIEW



PROPERTY OF ESC. DO NOT DUPLICATE OR DISTRIBUTE.

EAGLE
STAINLESS
www.eaglestainless.com

816 NINA WAY
WARMINSTER PA 18974
TEL# : 215-957-9333
FAX# : 215-957-9330

DRAWING# : CTH77HA-1-01A
MATERIAL : See Table on Drawing for Detail
CAPACITY : 5000 L (ACTUAL CAPACITY : 5084 L)
FINISH : 10 Ra (ELECTROPOISHED OPTIONAL)
MODEL # : CTH-77H

DRAWN BY : BEN S. KWON
(1) APPROVED BY : *[Signature]*
NOTE : ALL DIMENSIONS ARE INCHES
DO NOT SCALE
APPROVED BY (CUSTOMER SIGNATURE) :

DATE : 02/08/2018
(2) APPROVED BY : *[Signature]*

TOLERANCES UNLESS OTHERWISE SPECIFIED	
THREE PLACE DECIMAL	+/- .010"
TWO PLACE DECIMAL	+/- .125"
ONE PLACE DECIMAL	+/- .250"
FRACTIONS	+/- .132"
ANGULARITY	+/- .1/2 deg
RADIUS	+/- .1/32" - .031"