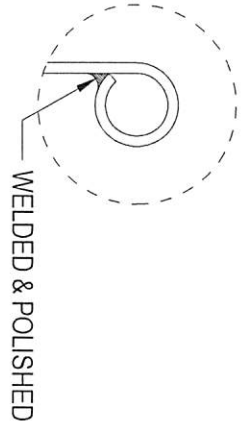
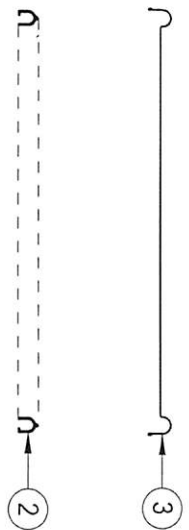
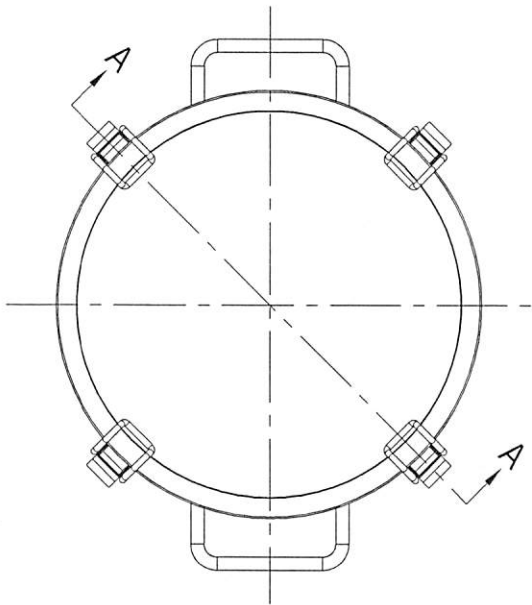


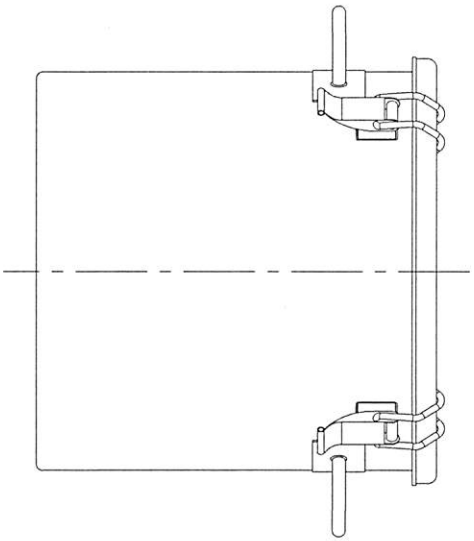
TOP VIEW



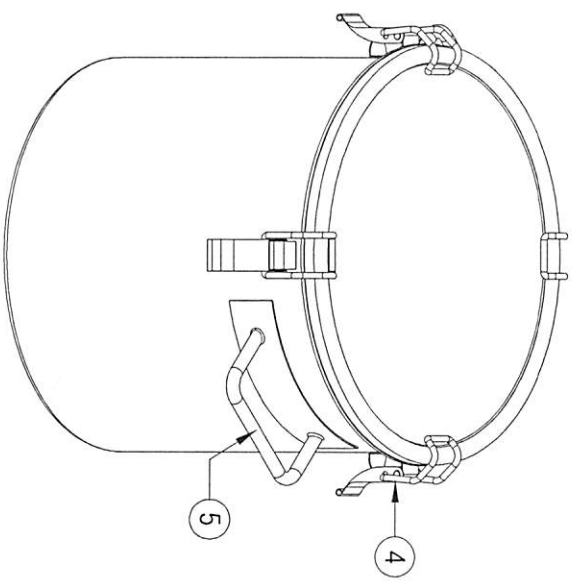
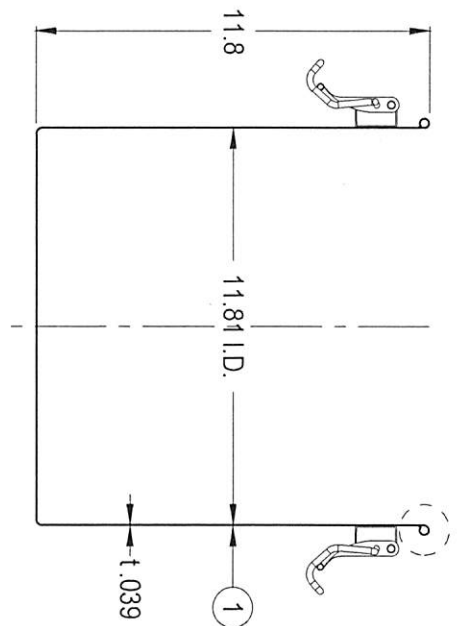
#	Qty.	Description
1	1	CTH5MA-30 CONTAINER (T-316L-SS)
2	1	CTH-30 GASKET
3	1	CTH-30 LID (T-316L-SS)
4	4	SPRING CLIPS (T-304-SS)
5	2	SOLID-BAR HANDLES (T-304-SS)

CONFIDENTIAL
Property of
Eagle Stainless Container

FRONT VIEW



A-A SECTION VIEW



PROPERTY OF ESC. DO NOT DUPLICATE OR DISTRIBUTE.

EAGLE
STAINLESS
www.eaglestainless.com

816 NINA WAY
WARMINSTER PA 18974
TEL#: 215-957-9333
FAX#: 215-957-9330

DRAWING#: CTH5MA30A-1-01A
MATERIAL: See Table on Drawing for Detail
CAPACITY: 200 L (ACTUAL CAPACITY: 21.8 L)
FINISH: 10 Ra (ELECTROPOLISHED OPTIONAL)
MODEL #: CTH5MA-30

DRAWN BY: BEN S. KWON
DATE: 10/12/2017
APPROVED BY: [Signature]
NOTE: ALL DIMENSIONS ARE INCHES.
DO NOT SCALE.
APPROVED BY (CUSTOMER SIGNATURE):

TOLERANCES UNLESS OTHERWISE SPECIFIED	
THREE PLACE DECIMAL	+/- .010"
TWO PLACE DECIMAL	+/- .100"
ONE PLACE DECIMAL	+/- .200"
FRACTIONS	+/- .1/32"
ANGULARITY	+/- .1/2 deg