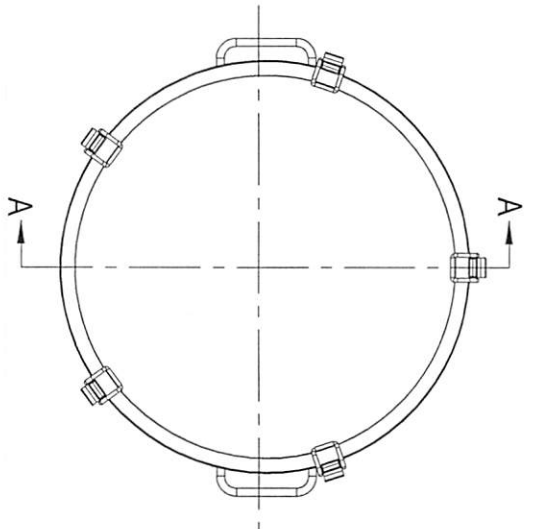


TOP VIEW

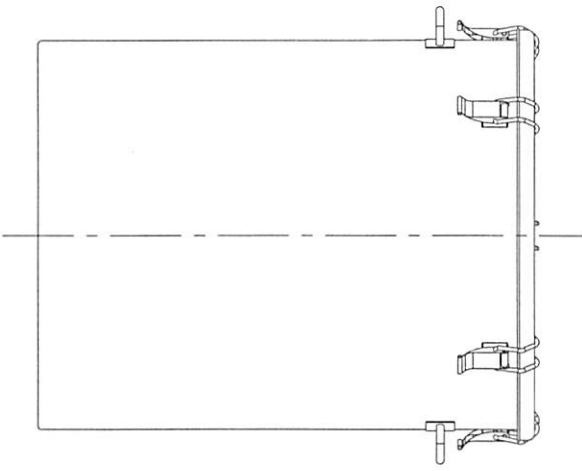


CONFIDENTIAL
Property of
Eagle Stainless Container

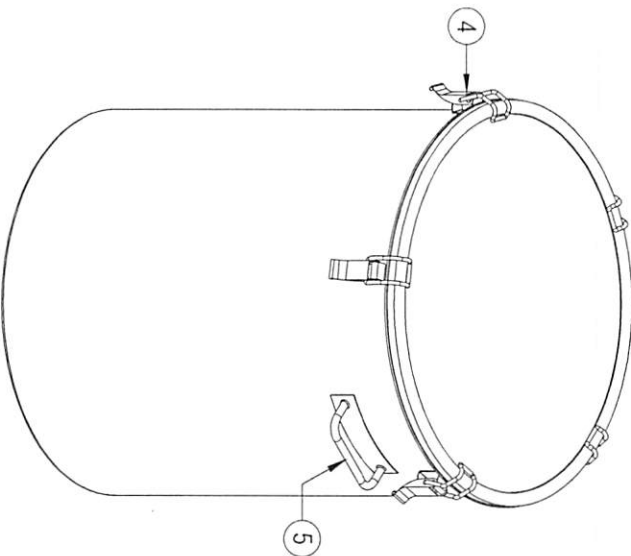
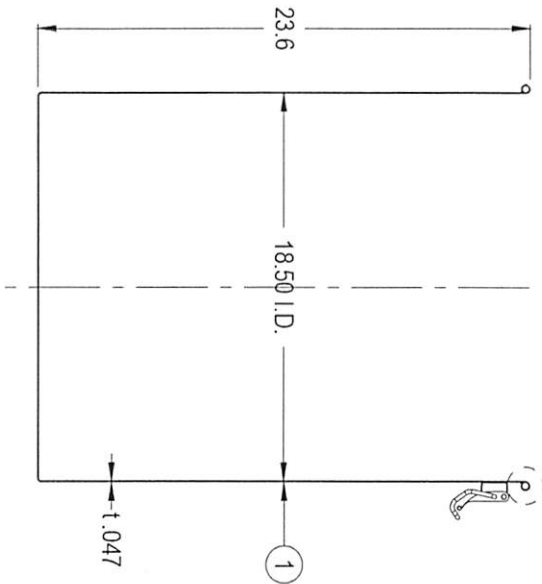


#	Qty.	Description
1	1	CTHSMA-47H CONTAINER (T-316L-SS)
2	1	CTH-47H GASKET
3	1	CTH-47H LID (T-316L-SS)
4	5	SPRING CLIPS (T-304-SS)
5	2	SOLID-BAR HANDLES (T-304-SS)

FRONT VIEW



A-A SECTION VIEW



PROPERTY OF ESC. DO NOT DUPLICATE OR DISTRIBUTE.

EAGLE
STAINLESS
www.eaglestainless.com

816 NINA WAY
WARMINSTER PA 18974
TEL#: 215-957-9333
FAX#: 215-957-9330

DRAWING#: CTHSMA47HA-1-01A
MATERIAL: See Table on Drawing for Detail
CAPACITY: 100.0L (ACTUAL CAPACITY: 103.0L)
FINISH: 10 Ra (ELECTROPOLISHED OPTIONAL)
MODEL #: CTHSMA-47H

DRAWN BY: BEN S. KWON
DATE: 10/24/2017
NOTE: ALL DIMENSIONS ARE INCHES.
DO NOT SCALE

(1) APPROVED BY: [Signature]
(2) APPROVED BY: [Signature]

TOLERANCES UNLESS OTHERWISE SPECIFIED
THREE PLACE DECIMAL
TWO PLACE DECIMAL
ONE PLACE DECIMAL
FRACTIONS
ANGULARITY
RADIUS

+/- .010"
+/- .125"
+/- .250"
+/- .132"
+/- .1/2 DEG
+/- .132" - .031"