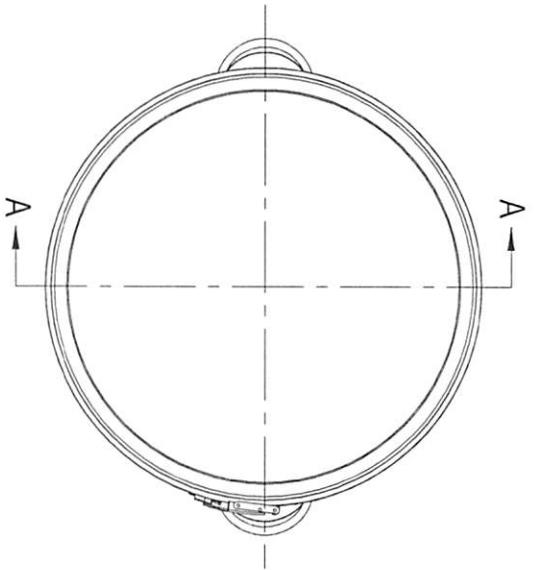


TOP VIEW



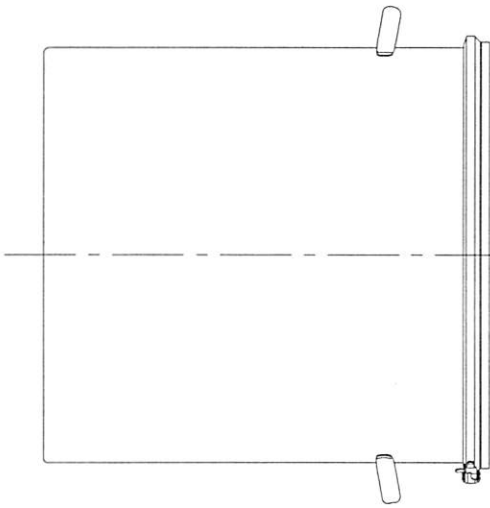
LOCK-LEVER RING CLAMP



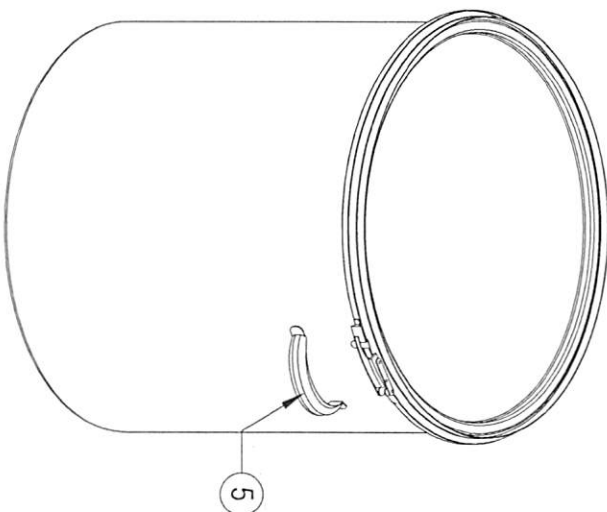
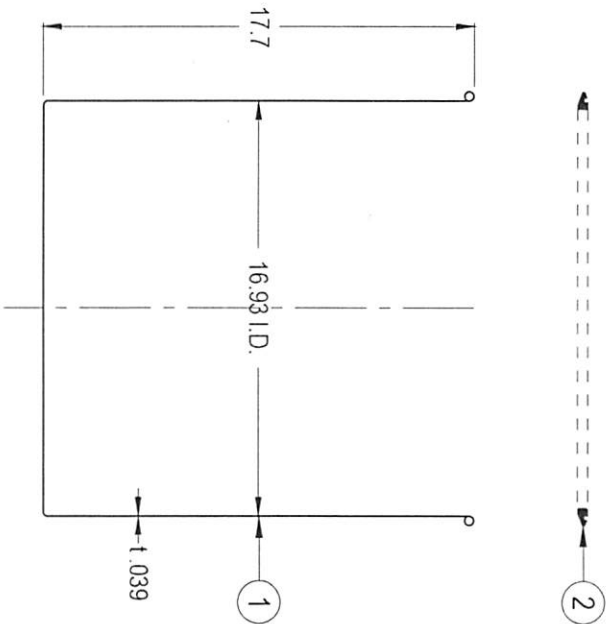
| # | Qty. | Description |
|---|------|----------------------------------|
| 1 | 1 | CTL-43 CONTAINER (T-316L-SS) |
| 2 | 1 | CTL-43 GASKET |
| 3 | 1 | CTL-43 LID (T-316L-SS) |
| 4 | 1 | LOCK-LEVER RING CLAMP (T-304-SS) |
| 5 | 2 | HOLLOW HANDLES (T-304-SS) |

CONFIDENTIAL
Property of
Eagle Stainless Container

FRONT VIEW



A-A SECTION VIEW



PROPERTY OF ESC. DO NOT DUPLICATE OR DISTRIBUTE.

EAGLE
STAINLESS
www.eaglestainless.com

816 NINA WAY
WARMINGSTER PA 18974
TEL#: 215-957-9333
FAX#: 215-957-9330

DRAWING# : CTL-43A-1-01A
MATERIAL : See Table on Drawing for Detail
CAPACITY : 60.0 L (ACTUAL CAPACITY 65.0 L)
FINISH : 10 Ra (ELECTROPOLISHED OPTIONAL)
MODEL # : CTL-43

DRAWN BY : BEN S. KIM
DATE : 07/31/2017
APPROVED BY : [Signature]

NOTE: ALL DIMENSIONS ARE INCHES
DO NOT SCALE
APPROVED BY (CUSTOMER SIGNATURE):

| | |
|---------------------------------------|-------------------|
| TOLERANCES UNLESS OTHERWISE SPECIFIED | |
| THREE PLACE DECIMAL | +/- .010" |
| TWO PLACE DECIMAL | +/- .125" |
| ONE PLACE DECIMAL | +/- .250" |
| FRACTIONS | +/- .132" |
| ANGULARITY | +/- .1/2 deg |
| RADIUS | +/- .132" - .031" |