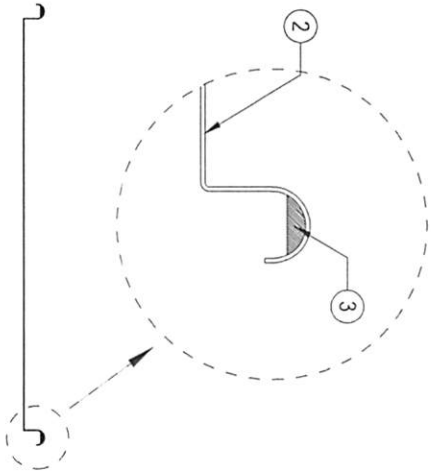
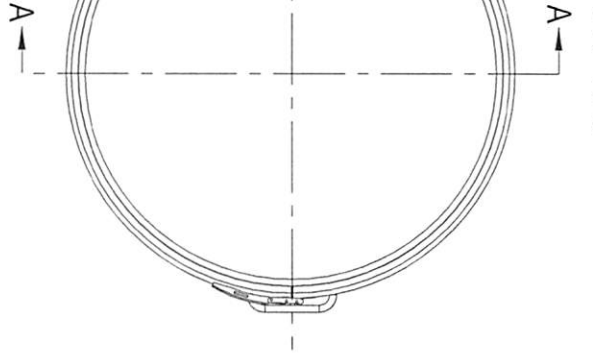


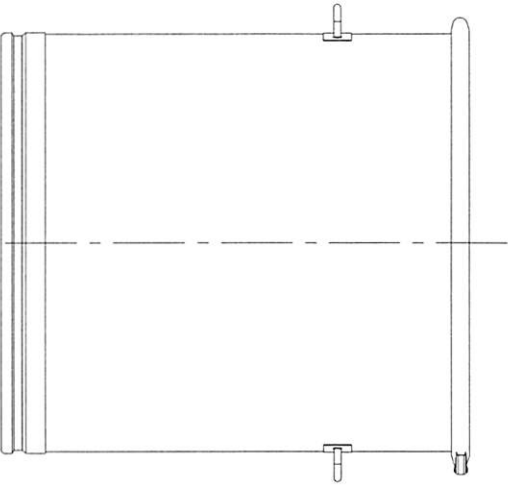
TOP VIEW



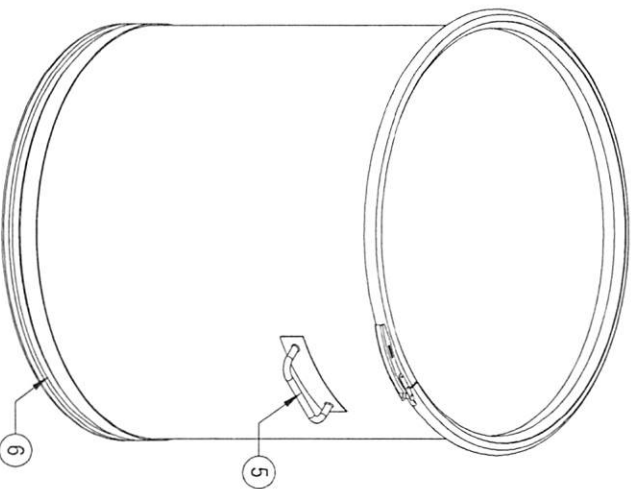
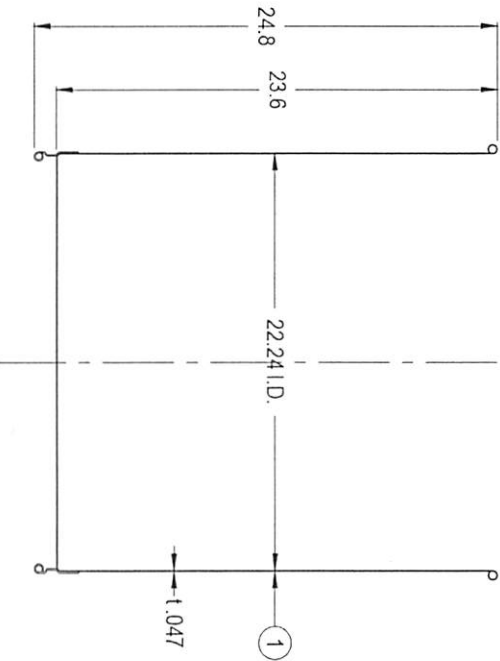
#	Qty.	Description
1	1	CTL-565 CONTAINER (T-316L-SS)
2	1	CTL-565 LID (T-316L-SS)
3	1	GASKET
4	1	LOCK-LEVER RING CLAMP (T-304-SS)
5	2	SOLID-BAR HANDLES (T-304-SS)
6	1	SKIRT (T-304-SS)

CONFIDENTIAL
Property of
Eagle Stainless Container

FRONT VIEW



A-A SECTION VIEW



PROPERTY OF ESC. DO NOT DUPLICATE OR DISTRIBUTE.

EAGLE
STAINLESS
www.eaglestainless.com

816 NINA WAY
WARMINSTER, PA 18974
TEL#: 215-957-9333
FAX#: 215-957-9330

Customer and/or Vendor agrees to keep confidential the contents of any documents and materials including but not limited to Quotation(s), Invoice(s), Purchase Order(s) and Drawing(s) that Eagle Stainless provides to Customer and/or Vendor and acknowledges that they are trade secrets of Eagle Stainless. Customer and/or Vendor agrees to indemnify Eagle Stainless for all damages (including all attorneys' fees and costs incurred) in connection with any unauthorized use or disclosure of such confidential information by any of Customer and/or Vendor's employees or agents.

DRAWING #: CTL565A-1.01A
MATERIAL: See Table on Drawing for Detail
CAPACITY: 140.0L (ACTUAL CAPACITY: 148.5L)
FINISH: 10 Ra (ELECTROPOLISHED OPTIONAL)
MODEL #: CTL-565

DRAWN BY: BEN S. KAY
DATE: 08/09/2017
APPROVED BY: [Signature]
NOTE: ALL DIMENSIONS ARE IN INCHES.
DO NOT SCALE.

TOLERANCES UNLESS OTHERWISE SPECIFIED	THREE PLACE DECIMAL	ONE PLACE DECIMAL	FRACTIONS	ANGULARITY	RADIUS
	+/- .010"	+/- .125"	+/- .250"	+/- .1/2 Deg	+/- .1/32" - .031"