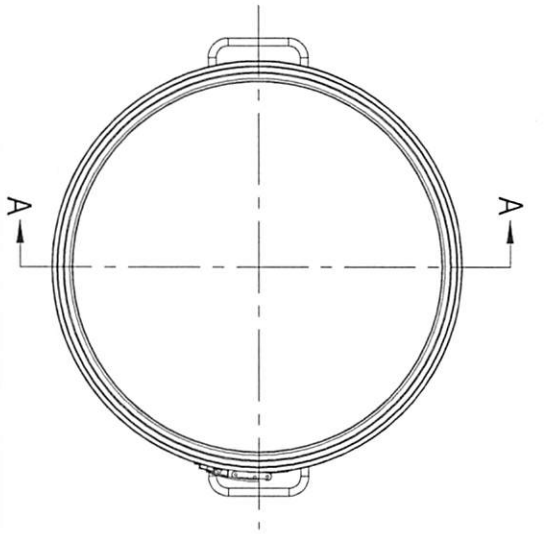
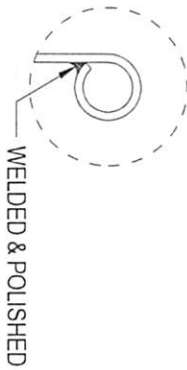


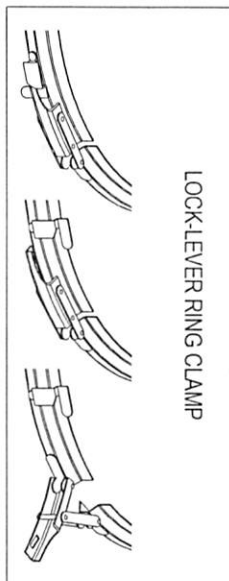
TOP VIEW



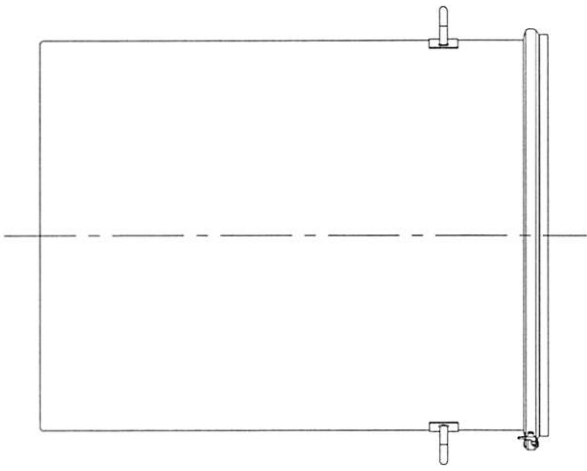
CONFIDENTIAL
Property of
Eagle Stainless Container



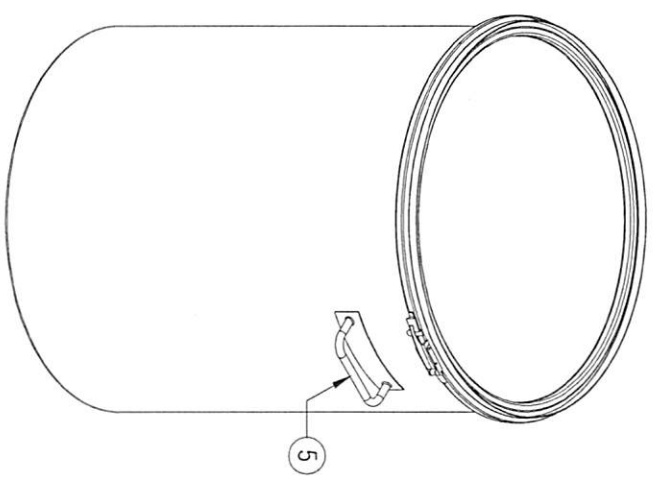
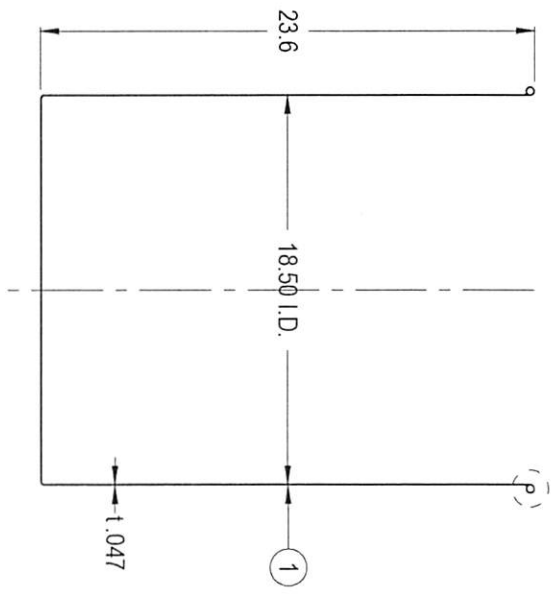
#	Qty.	Description
1	1	CTLSMA-47H CONTAINER (T-316L-SS)
2	1	CTL-47H GASKET
3	1	CTL-47H LID (T-316L-SS)
4	1	LOCK-LEVER RING CLAMP (T-304-SS)
5	2	SOLID-BAR HANDLES (T-304-SS)



FRONT VIEW



A-A SECTION VIEW



PROPERTY OF ESC. DO NOT DUPLICATE OR DISTRIBUTE

EAGLE
STAINLESS
www.eaglestainless.com

816 NINA WAY
WARMINSTER PA 18974
TEL#: 215-957-9333
FAX#: 215-957-9330

DRAWING#: CTLSMA47H-1-01A
MATERIAL: See Table on Drawing for Detail
CAPACITY: 100.0 L (ACTUAL CAPACITY: 103.0 L)
FINISH: #0 Ra (ELECTROPOLISHED OPTIONAL)
MODEL #: CTLSMA-47H

DRAWN BY: BEN S. KWON
DATE: 01/15/2018
APPROVED BY: [Signature]
NOTE: ALL DIMENSIONS ARE IN INCHES.
DO NOT SCALE.
APPROVED BY (CUSTOMER SIGNATURE):

TOLERANCES UNLESS OTHERWISE SPECIFIED	
THREE PLACE DECIMAL	+/- .010"
TWO PLACE DECIMAL	+/- .125"
ONE PLACE DECIMAL	+/- .250"
FRACTIONS	+/- .132"
ANGULARITY	+/- .112 deg
RADII	+/- .132" - .031"