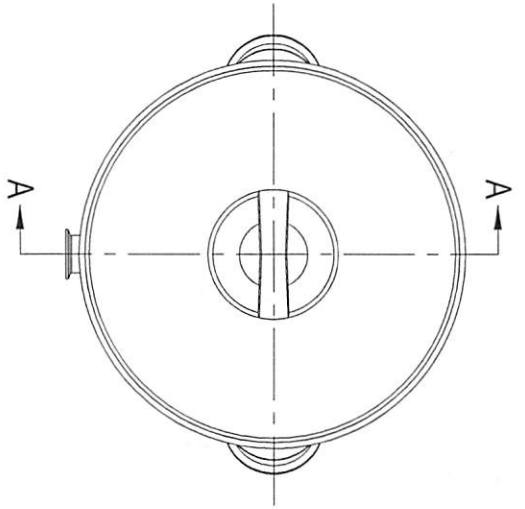


TOP VIEW



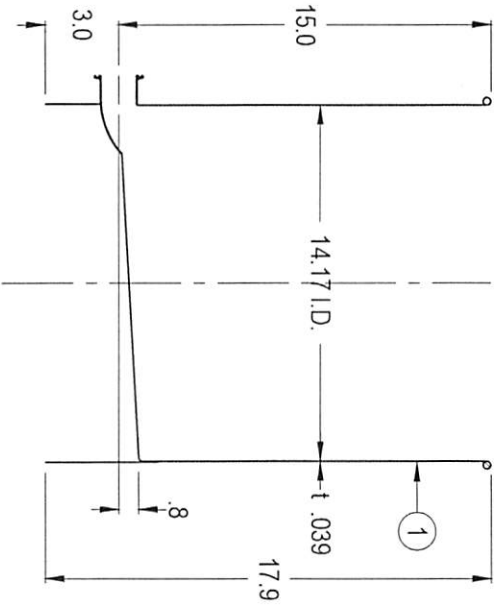
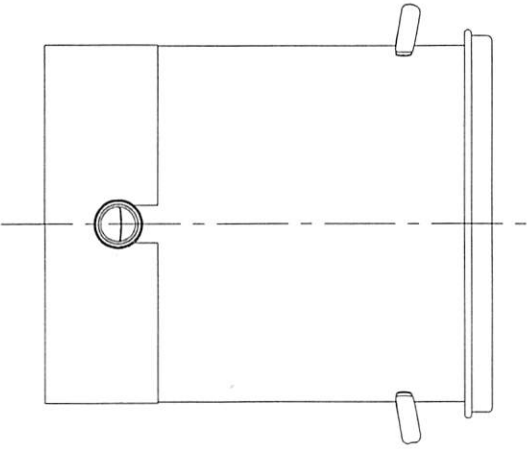
**CONFIDENTIAL**  
Property of  
Eagle Stainless Container



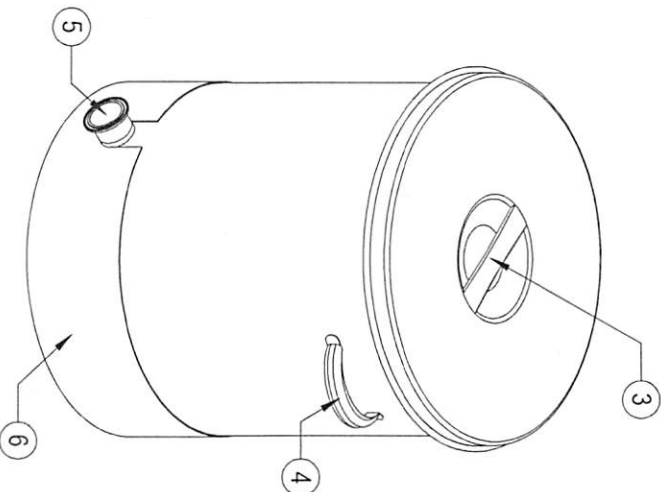
#	Qty.	Description
1	1	KTTST-36 CONTAINER (T-316L-SS)
2	1	KTTST-36 LOOSE LID (T-316L-SS)
3	1	EASY-LIFTING LID HANDLE (T-304-SS)
4	2	HOLLOW HANDLES (T-304-SS)
5	1	1-1/2" TC FERRULE (T-316L-SS)
6	1	SKIRT (T-304-SS)

\*\* TC = TRI-CLAMP

FRONT VIEW



A-A SECTION VIEW



PROPERTY OF ESC. DO NOT DUPLICATE OR DISTRIBUTE.

**EAGLE**  
STAINLESS  
www.eaglestainless.com

816 NINA WAY  
WARMINSTER, PA 18974  
TEL#: 215-957-9333  
FAX#: 215-957-9330

Customer and/or Vendor agrees to keep confidential the contents of any documents and materials including but not limited to Conditions, Invoices, Purchase Order(s) and Drawing(s) that Eagle Stainless provides to Customer and/or Vendor and acknowledges that they are the sole property of Eagle Stainless. Customer and/or Vendor agrees to indemnify Eagle Stainless for all damages (including attorney's fees and reasonable costs) incurred by Eagle Stainless as a result of disclosure of such confidential information by any of Customer and/or Vendor's employees or agents.

DRAWING#: KTTST36A-1-01A  
MATERIAL: See Table on Drawing for Detail  
CAPACITY: 35.0 L (ACTUAL CAPACITY - 37.0 L)  
FINISH: 10Ra (ELECTROPOLISHED OPTIONAL)  
MODEL #: KTTST-36

DRAWN BY: BEN S. KWON  
DATE: 12/05/2017  
APPROVED BY: *[Signature]*  
NOTE: ALL DIMENSIONS ARE IN INCHES.  
DO NOT SCALE

TOLERANCES UNLESS OTHERWISE SPECIFIED	THREE PLACE DECIMAL	ONE PLACE DECIMAL	ANGULARITY
	+/- .010"	+/- .125"	+/- .132°
	+/- .125"	+/- .250"	+/- .12 deg