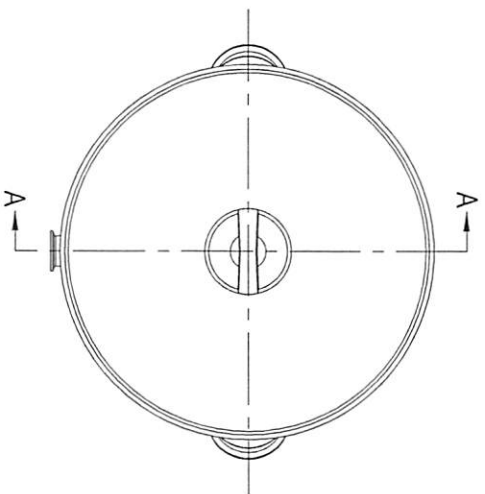


TOP VIEW

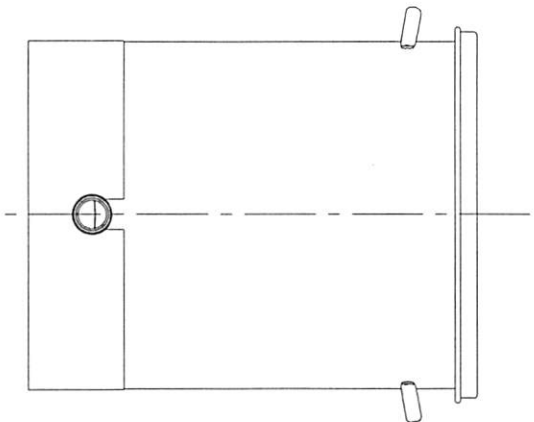


CONFIDENTIAL
Property of
Eagle Stainless Container

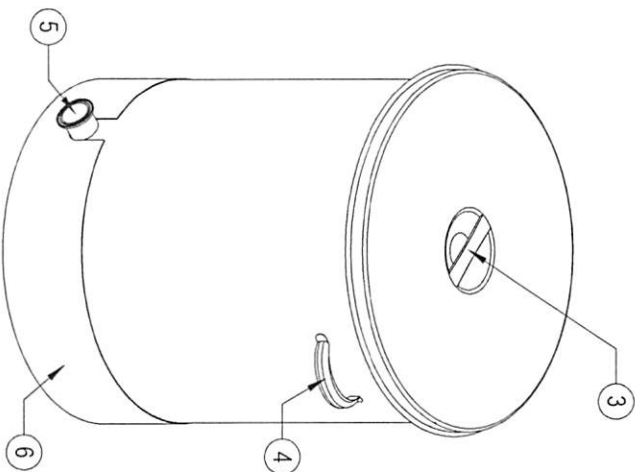
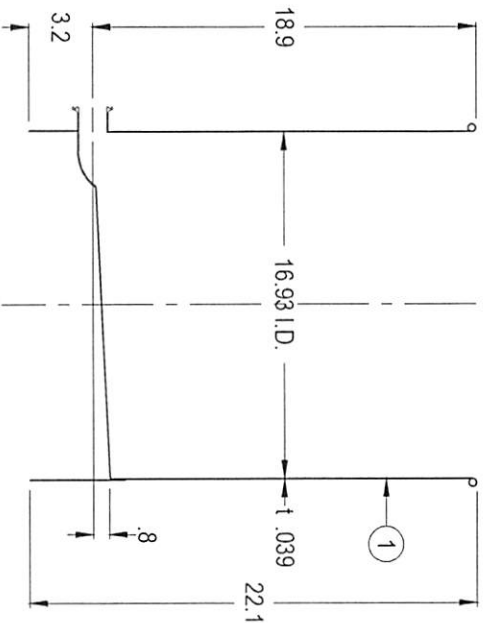
#	Qty.	Description
1	1	KTTST-43 CONTAINER (T-316L-SS)
2	1	KTTST-43 LOOSE LID (T-316L-SS)
3	1	EASY-LIFTING LID HANDLE (T-304-SS)
4	2	HOLLOW HANDLES (T-304-SS)
5	1	1-1/2" TC FERRULE (T-316L-SS)
6	1	SKIRT (T-304-SS)

** TC = TRI-CLAMP

FRONT VIEW



A-A SECTION VIEW



PROPERTY OF ESC. DO NOT DUPLICATE OR DISTRIBUTE.

EAGLE 816 NINA WAY
WARMINSTER PA 18974
TEL#: 215-957-9333
FAX#: 215-957-9330
www.eaglestainless.com

Customer and/or Vendor agrees to keep confidential the contents of any documents and materials including but not limited to quotation(s), proposal(s), purchase order(s), and drawing(s) that Eagle Stainless provides to the customer. Eagle Stainless shall not be held liable for the release of Eagle Stainless' Customer and/or Vendor pricing and/or information to any third party. Eagle Stainless reserves the right to modify its prices and costs (included) in connection with any unauthorized use or disclosure of such confidential information by any of Customer and/or Vendor's employees or agents.

DRAWING#: KTTST43A-1.01A
MATERIAL: See Table on Drawing for Detail
CAPACITY: 65.0 L (ACTUAL CAPACITY - 67.0 L)
FINISH: #10 Ra (ELECTRO-POLISHED OPTIONAL)
MODEL #: KTT-ST-43

DRAWN BY: BEN S. KYON
(1) APPROVED BY:

DATE: 12/05/2017
(2) APPROVED BY:

TOLERANCES UNLESS OTHERWISE SPECIFIED	
THREE PLACE DECIMAL	+/- .010"
TWO PLACE DECIMAL	+/- .125"
ONE PLACE DECIMAL	+/- .250"
FRACTIONS	+/- .132"
ANGULARITY	+/- .12 deg