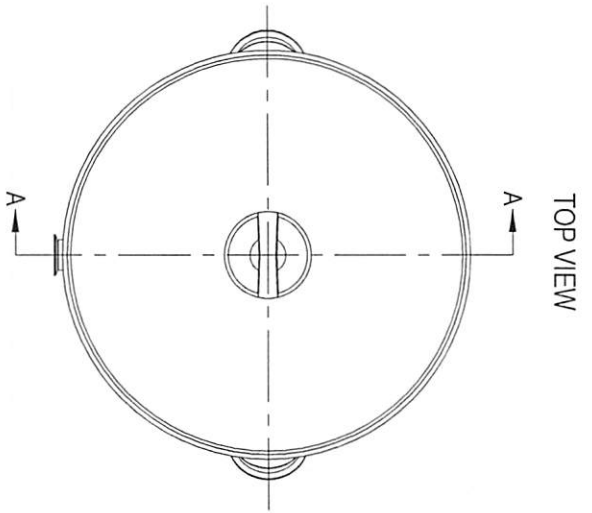
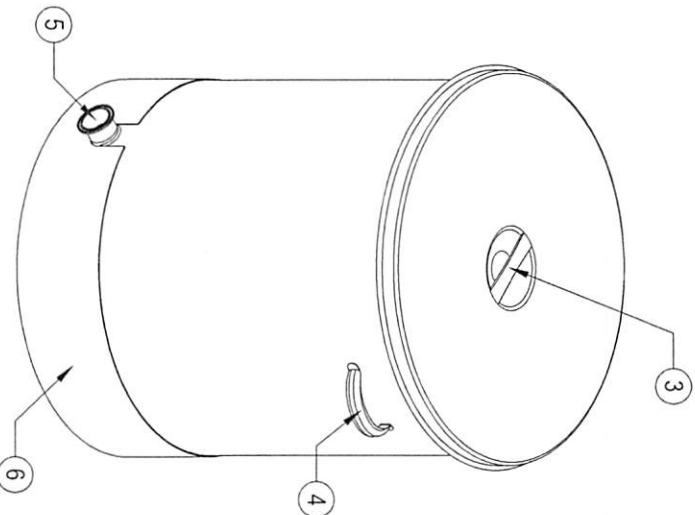
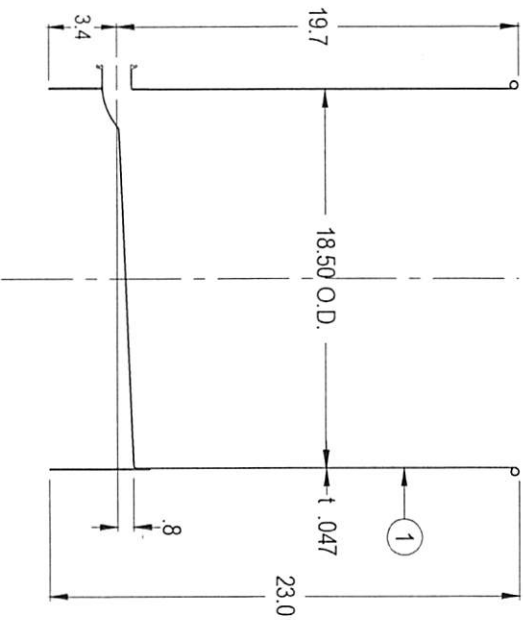
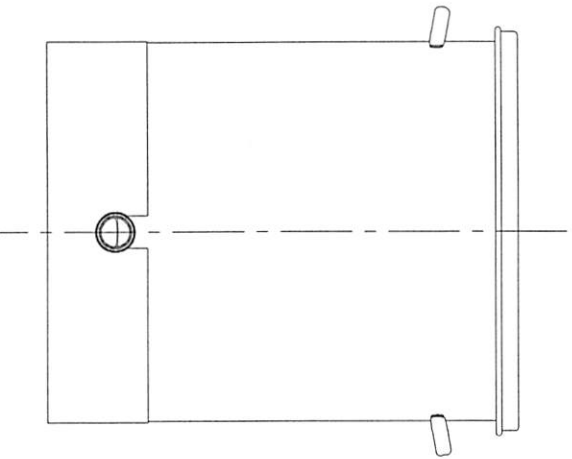


**CONFIDENTIAL**  
Property of  
Eagle Stainless Container



#	Qty.	Description
1	1	KTTST-47 CONTAINER (T-316L-SS)
2	1	ST-47 LOOSE LID (T-316L-SS)
3	1	EASY-LIFTING LID HANDLE (T-304-SS)
4	2	HOLLOW HANDLES (T-304-SS)
5	1	1-1/2" TC FERRULE (T-316L-SS)
6	1	SKIRT (T-304-SS)

\*\* TC = TRI-CLAMP



FRONT VIEW

A-A SECTION VIEW

PROPERTY OF ESC. DO NOT DUPLICATE OR DISTRIBUTE.

**EAGLE**  
STAINLESS  
www.eaglestainless.com

816 NINA WAY  
WARMUNSTER PA 18974  
TEL#: 215-957-9333  
FAX#: 215-957-9330

Customer and/or Vendor agrees to keep confidential the contents of any documents and materials including but not limited to Quotation(s), Invoice(s), Purchase Order(s), and Drawing(s) that Eagle Stainless provides to Customer and/or Vendor and acknowledges that they are trade secrets of Eagle Stainless. Customer and/or Vendor agrees to indemnify Eagle Stainless for all damages (including all attorney's fees and costs incurred in connection with any unauthorized use or disclosure of such confidential information) by any of Customer and/or Vendor's employees or agents.

DRAWING# : KTTST47A-1-01A	DRAWN BY : BEN S. KWON	DATE : 02/02/2018	TOLERANCES UNLESS OTHERWISE SPECIFIED
MATERIAL : See Table on Drawing for Detail	(1) APPROVED BY : <i>[Signature]</i>	(2) APPROVED BY : <i>[Signature]</i>	THREE PLACE DECIMAL
CAPACITY : 75.0 L (ACTUAL CAPACITY : 83.0 L)	NOTE : ALL DIMENSIONS ARE INCHES.	DO NOT SCALE	TWO PLACE DECIMAL
FINISH : 10 Ra (ELECTROPOUSHED OPTIONAL)	APPROVED BY (CUSTOMER SIGNATURE):		ONE PLACE DECIMAL
MODEL # : KTTST-47			FRACTIONS
			ANGULARITY