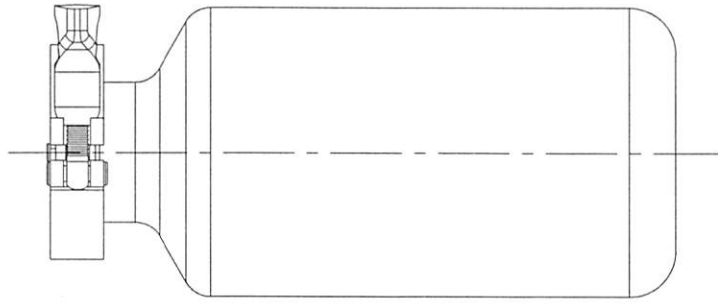
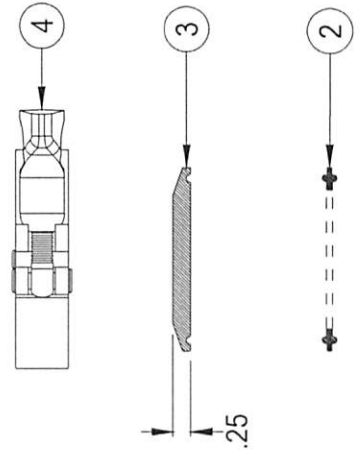
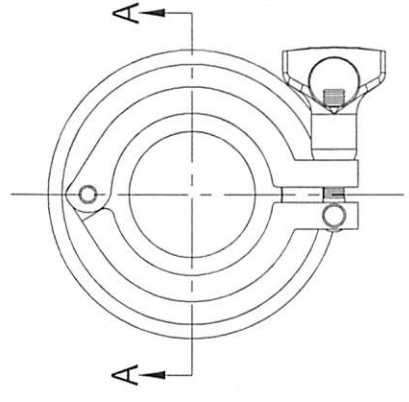


#	Qty.	Description
1	1	PSF-10 VESSEL with 2" TC OPENING (T-316L-SS)
2	1	2" TC GASKET
3	1	2" TC ENDCAP (T-316L-SS)
4	1	HEAVY-DUTY TC CLAMP (T-304-SS)

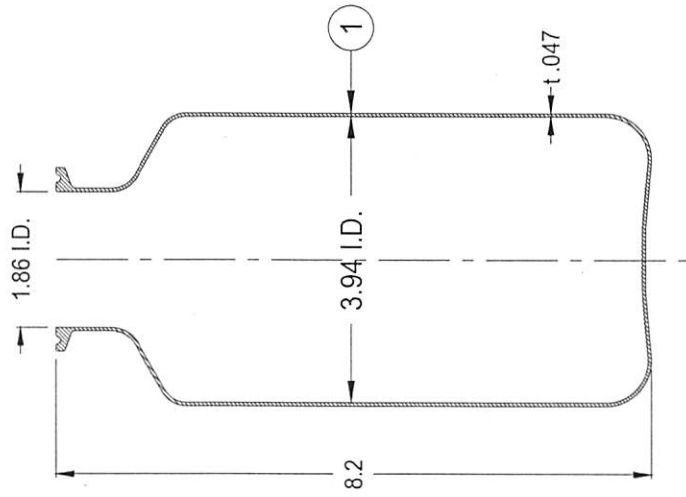
** TC = TRI CLAMP

CONFIDENTIAL
Property of
Eagle Stainless Container

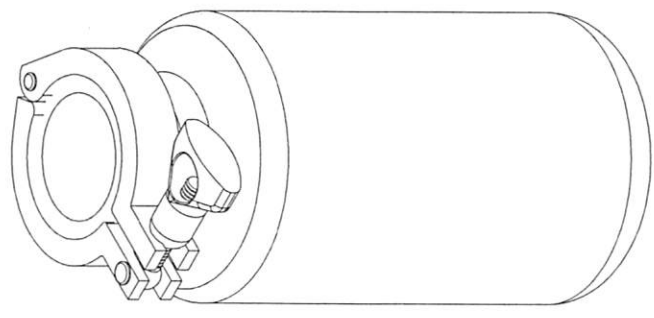
TOP VIEW



FRONT VIEW



A-A SECTION VIEW



EAGLE
STAINLESS
www.eaglestainless.com

816 NINA WAY
WARMINSTER PA 18974
TEL# : 215-957-9333
FAX# : 215-957-9330

DRAWING# : PSF10A-1-01A
MATERIAL : See Table on Drawing for Detail
CAPACITY : 1.0 L (ACTUAL CAPACITY : 1.4 L)
FINISH : 10 Ra (ELECTROPOLISHED OPTIONAL)
MODEL # : PSF-10

Customer and/or Vendor agrees to keep confidential the contents of any documents and materials including but not limited to Quotations, Invoices, Purchase Order(s), and Drawing(s) that Eagle Stainless provides to Customer and/or Vendor and acknowledges that they are trade secrets of Eagle Stainless. Customer and/or Vendor agrees to indemnify Eagle Stainless for all damages (including all attorneys' fees and costs incurred) in connection with any unauthorized use or disclosure of such confidential information by any of Customer and/or Vendor's employees or agents.

PROPERTY OF ESC. DO NOT DUPLICATE OR DISTRIBUTE.

DRAWN BY : BEN S. KWON
DATE : 04/17/2017
(1) APPROVED BY : *[Signature]*
(2) APPROVED BY : *[Signature]*
NOTE : ALL DIMENSIONS ARE INCHES
DO NOT SCALE.
APPROVED BY (CUSTOMER SIGNATURE) :

TOLERANCES UNLESS OTHERWISE SPECIFIED	
THREE PLACE DECIMAL	+/- .010"
TWO PLACE DECIMAL	+/- .100"
ONE PLACE DECIMAL	+/- .200"
FRACTIONS	+/- .132"
ANGULARITY	+/- .1/2 deg.