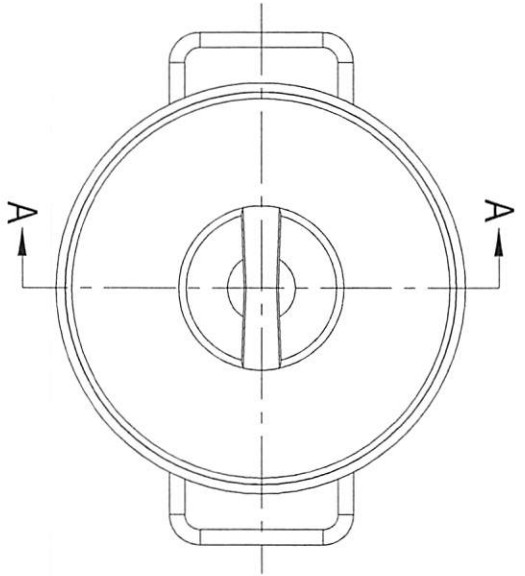
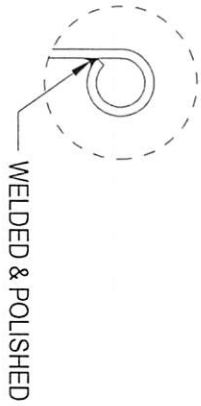


TOP VIEW

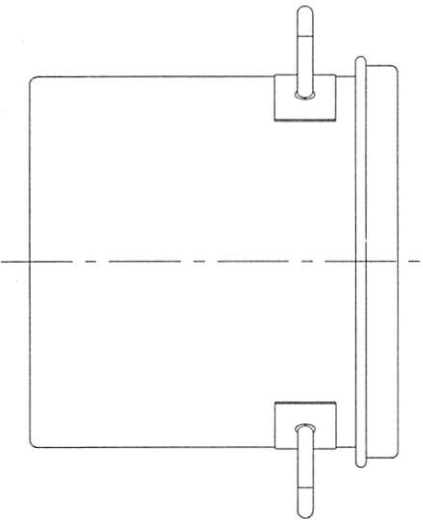


CONFIDENTIAL
Property of
Eagle Stainless Container

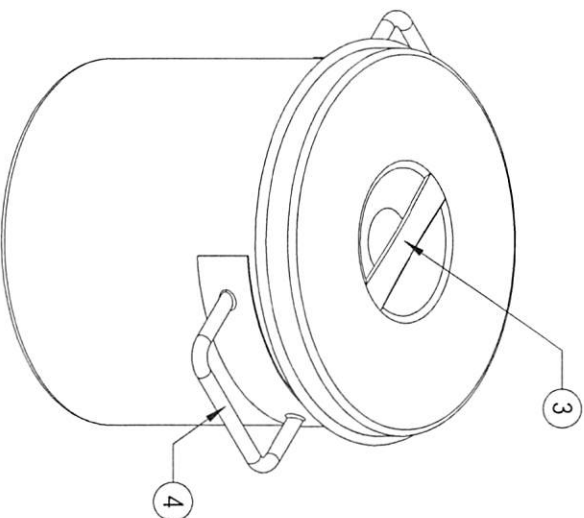
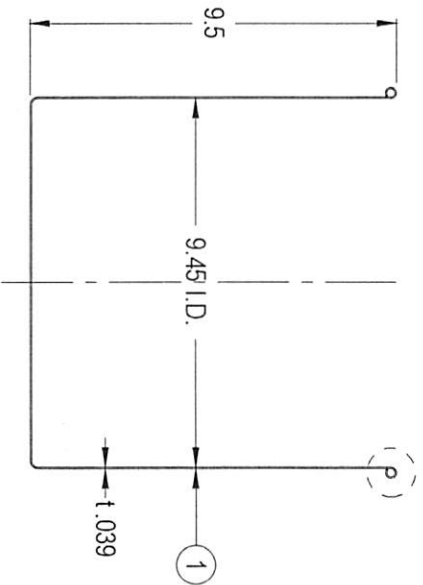


#	Qty.	Description
1	1	STSMA-24 CONTAINER (T-316L-SS)
2	1	ST-24 LOOSE LID (T-316L-SS)
3	1	EASY-LIFTING LID HANDLE (T-304-SS)
4	2	SOLID-BAR HANDLES (T-304-SS)

FRONT VIEW



A-A SECTION VIEW



PROPERTY OF ESC. DO NOT DUPLICATE OR DISTRIBUTE.

EAGLE
STAINLESS
www.eaglestainless.com

816 NINA WAY
WARMINGSTER PA 18974
TEL#: 215-957-9333
FAX#: 215-957-9330

DRAWING#: STSMA24-1-01A
MATERIAL: See Table on Drawing for Detail
CAPACITY: 100 L (ACTUAL CAPACITY: 114 L)
FINISH: 10 Ra (ELECTROPOISHED OPTIONAL)
MODEL #: STSMA-24

DRAWN BY: BEN S. KWON
(1) APPROVED BY: *[Signature]*
NOTE: ALL DIMENSIONS ARE IN INCHES.
DO NOT SCALE
APPROVED BY (CUSTOMER SIGNATURE):

DATE: 01/28/2018
(2) APPROVED BY: *[Signature]*
TOLERANCES UNLESS OTHERWISE SPECIFIED
THREE PLACE DECIMAL
TWO PLACE DECIMAL
ONE PLACE DECIMAL
FRACTIONS
ANGULARITY

+/- .010"
+/- .100"
+/- .200"
+/- .132"
+/- .12 deg