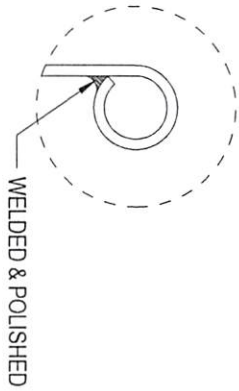
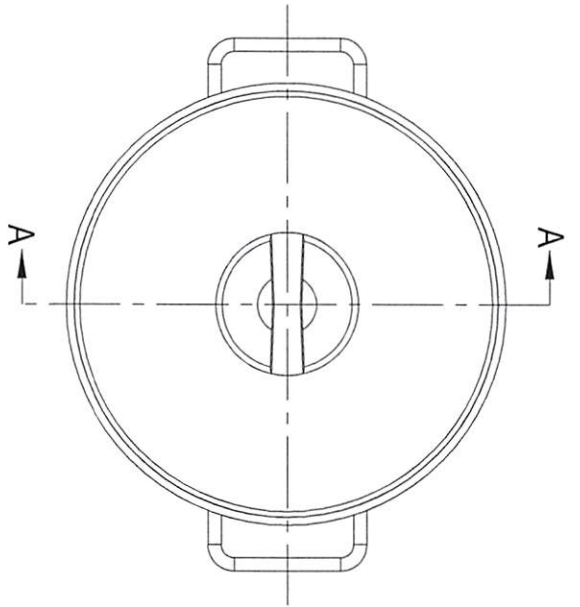


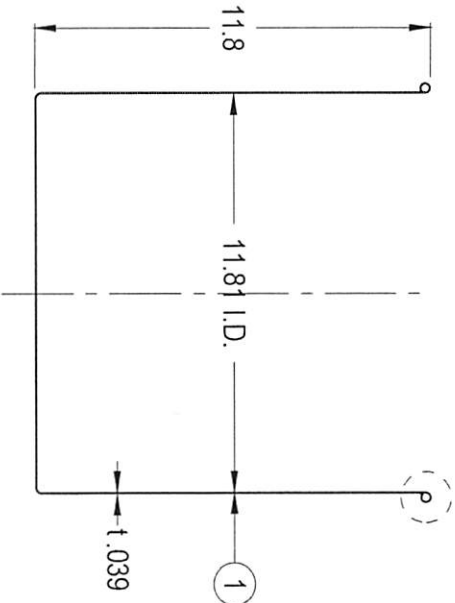
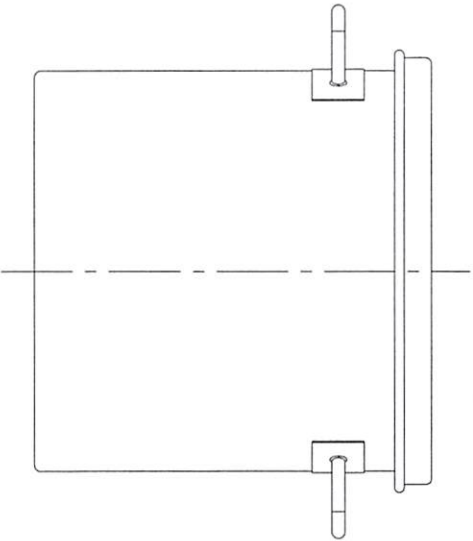
TOP VIEW



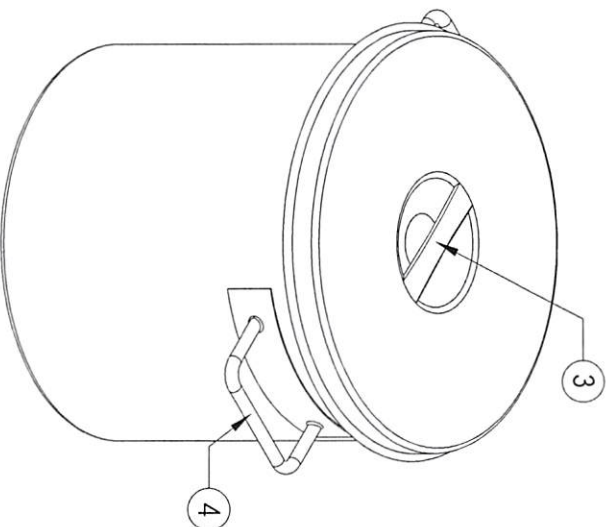
| # | Qty. | Description                     |
|---|------|---------------------------------|
| 1 | 1    | ST-SMA-30 CONTAINER (T-316L-SS) |
| 2 | 1    | ST-30 LOOSE LID (T-316L-SS)     |
| 3 | 1    | LID HANDLE (T-304-SS)           |
| 4 | 2    | SOLID-BAR HANDLES (T-304-SS)    |

**CONFIDENTIAL**  
Property of  
Eagle Stainless Container

FRONT VIEW



A-A SECTION VIEW



PROPERTY OF ESC. DO NOT DUPLICATE OR DISTRIBUTE.

**EAGLE**  
816 NINA WAY  
WARMINSTER PA 18974  
TEL#: 215-957-9333  
STAINLESS FAX#: 215-957-9330  
www.eaglestainless.com

Customer and/or Vendor agrees to keep confidential the contents of any documents and materials including but not limited to Quotation(s), Invoice(s), Purchase Order(s), and Drawing(s) that Eagle Stainless provides to Customer and/or Vendor and acknowledges that they are the property of Eagle Stainless. Customer and/or Vendor agrees to indemnify Eagle Stainless for all damages (including all attorneys' fees and court costs) incurred in connection with any use or disclosure of such information by any of Customer and/or Vendor's employees or agents.

DRAWING#: ST-SMA-30A-1-01A  
MATERIAL: See Table on Drawing for Detail  
CAPACITY: 20.0 L (ACTUAL CAPACITY: 21.8 L)  
FINISH: 10 Ra (ELECTRO-POLISHED OPTIONAL)  
MODEL #: ST-SMA-30

DRAWN BY: BEN S. KWON  
(1) APPROVED BY: [Signature]  
NOTE: ALL DIMENSIONS ARE IN INCHES  
DO NOT SCALE  
APPROVED BY (CUSTOMER SIGNATURE):

DATE: 09/20/2017

(2) APPROVED BY: [Signature]

| TOLERANCES UNLESS OTHERWISE SPECIFIED | THREE PLACE DECIMAL | TWO PLACE DECIMAL | ONE PLACE DECIMAL | FRACTIONS | ANGULARITY  |
|---------------------------------------|---------------------|-------------------|-------------------|-----------|-------------|
|                                       | +/- .010"           | +/- .005"         | +/- .005"         | +/- .005" | +/- 1/2 deg |