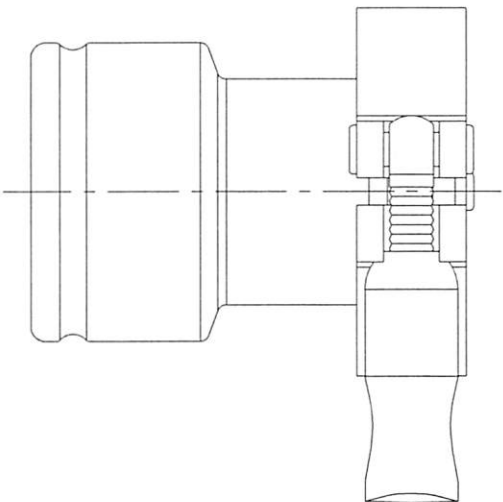
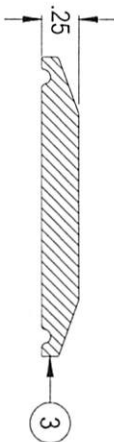
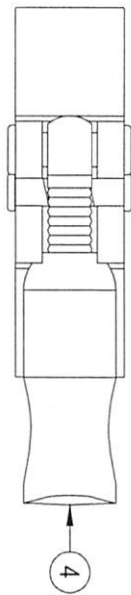
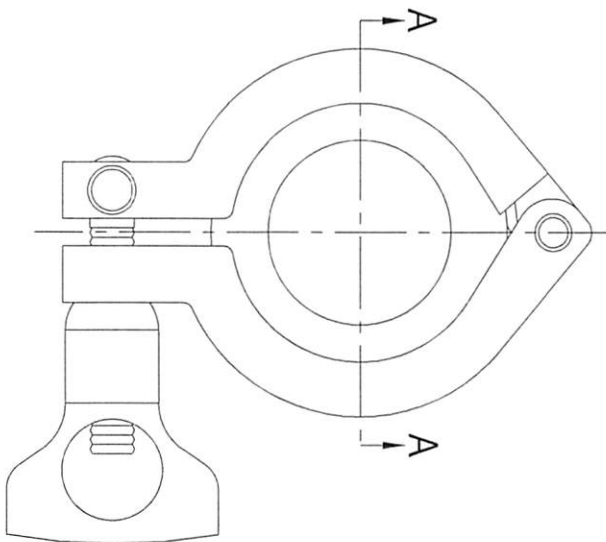
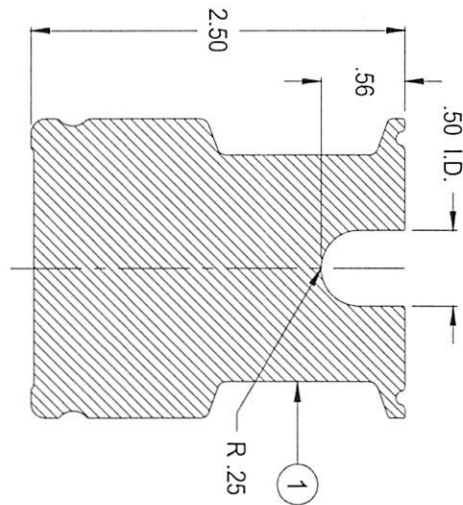


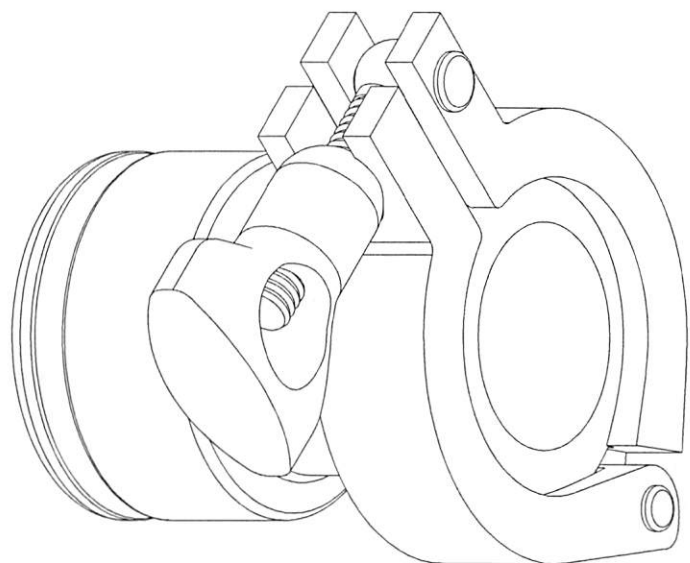
TOP VIEW



FRONT VIEW



A-A SECTION VIEW



#	Qty.	Description
1	1	STB-1 VESSEL with 1" TC OPENING (T-316L-SS)
2	1	1" TC BLIND GASKET
3	1	1" TC ENDCAP (T-316L-SS)
4	1	HEAVY-DUTY TC CLAMP (T-304-SS)

** TC = TRI CLAMP

CONFIDENTIAL
Property of
Eagle Stainless Container

PROPERTY OF ESC. DO NOT DUPLICATE OR DISTRIBUTE.

EAGLE STAINLESS
816 NINA WAY
WARMINSTER PA 18974
TEL#: 215-957-9333
FAX#: 215-957-9330
www.eaglestainless.com

Customer and/or Vendor agrees to keep confidential the contents of any documents and materials including but not limited to Quotations (Invoices), Purchase Orders, and Drawings that Eagle Stainless provides to Customer and/or Vendor and acknowledges that they are trade secrets of Eagle Stainless. Customer and/or Vendor agrees to indemnify Eagle Stainless for all damages (including all attorneys' fees and costs incurred) in connection with any unauthorized use or disclosure of such confidential information by any of Customer and/or Vendor's employees or agents.

DRAWING#: STB1A-102A
MATERIAL: See Table on Drawing for Detail.
CAPACITY: 1.0 mL (ACTUAL CAPACITY: 1.5 mL)
FINISH: 10 Ra (ELECTROPOLISHED)
MODEL #: STB-1

DRAWN BY: BEN S. KYROU
DATE: 03/14/2018
(1) APPROVED BY: [Signature]
NOTE: ALL DIMENSIONS ARE IN INCHES.
DO NOT SCALE.
APPROVED BY (CUSTOMER SIGNATURE): [Signature]

TOLERANCES UNLESS OTHERWISE SPECIFIED	THREE PLACE DECIMAL	ONE PLACE DECIMAL	FRAGILITY	RADIUS
	+/- .010"	+/- .050"	+/- .12 deg	+/- .12Z - .031"
	TWO PLACE DECIMAL	+/- .100"		