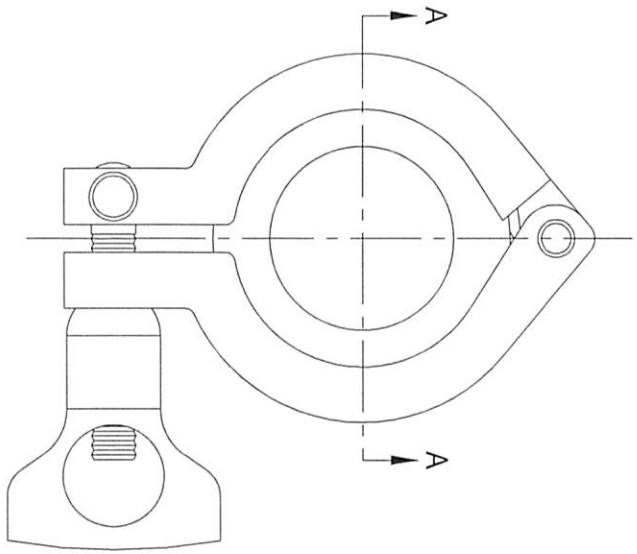
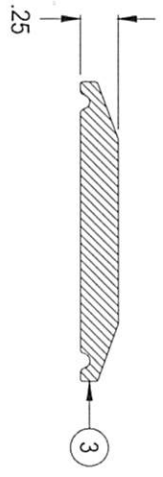
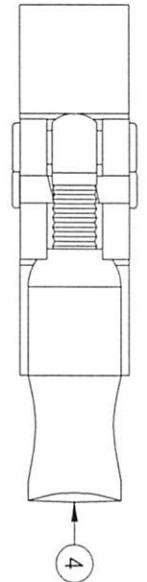
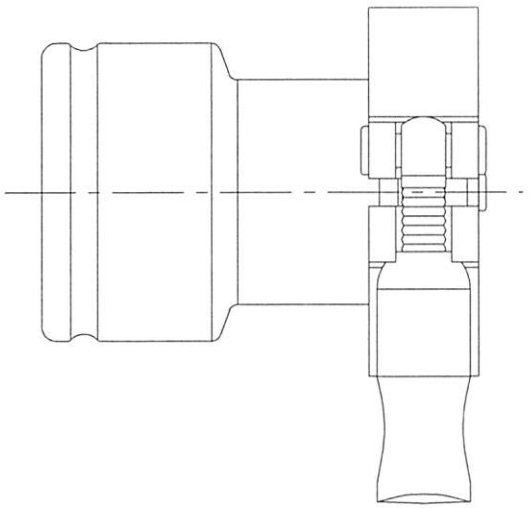


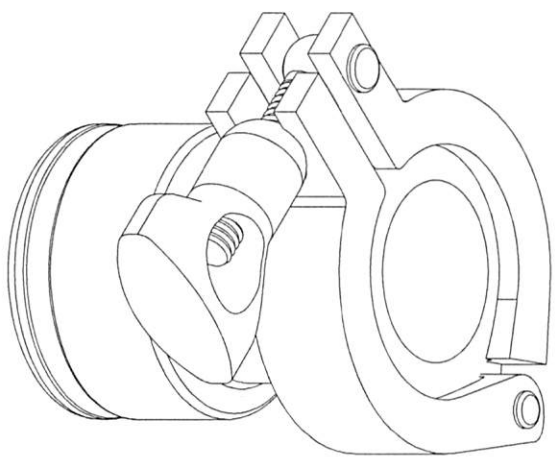
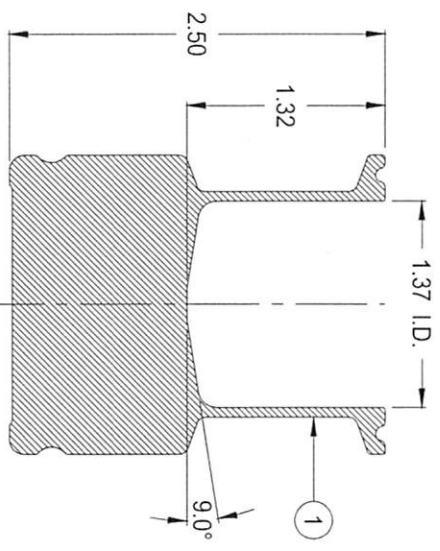
TOP VIEW



FRONT VIEW



A-A SECTION VIEW



#	Qty.	Description
1	1	CUSTOM STB (25 ml) VESSEL with 1-1/2" TC OPENING (T-316L-SS)
2	1	1-1/2" TC GASKET
3	1	1-1/2" TC ENDCAP (T-316L-SS)
4	1	HEAVY-DUTY TC CLAMP (T-304-SS)

** TC = TRI CLAMP

CONFIDENTIAL
Property of
Eagle Stainless Container

PROPERTY OF ESC. DO NOT DUPLICATE OR DISTRIBUTE.

EAGLE
STAINLESS
www.eaglestainless.com

816 NINA WAY
WARMUNSTER PA 18974
TEL#: 215-957-9333
FAX#: 215-957-9330

Customer and/or Vendor agrees to keep confidential the contents of any documents and materials including but not limited to Quotation(s), Invoice(s), Purchase Order(s), and Drawing(s) that Eagle Stainless provides to Customer and/or Vendor and acknowledges that they are trade secrets of Eagle Stainless. Customer and/or Vendor agrees to indemnify Eagle Stainless for all damages (including all attorneys' fees and costs incurred) in connection with any unauthorized use or disclosure of such confidential information by any of Customer and/or Vendor's employees or agents.

DRAWING#: STB25A-1.01A
MATERIAL: T-316L-SS
CAPACITY: 25.0 ml (ACTUAL CAPACITY: 30.0 ml)
FINISH: 10 Ra (ELECTROPOLISHED)
MODEL #: STB-25

DRAWN BY: BEN S. KWON
DATE: 08/20/2015
(1) APPROVED BY: [Signature]
NOTE: ALL DIMENSIONS ARE IN INCHES.
DO NOT SCALE.
APPROVED BY (CUSTOMER SIGNATURE): [Signature]

TOLERANCES UNLESS OTHERWISE SPECIFIED	THREE PLACE DECIMAL	+/- .010"
TWO PLACE DECIMAL	+/- .050"	
ONE PLACE DECIMAL	+/- .100"	
FRACTIONS	+/- .132"	
ANGULARITY	+/- .1/2 Deg.	
RADIUS	+/- .1/32" - .031"	