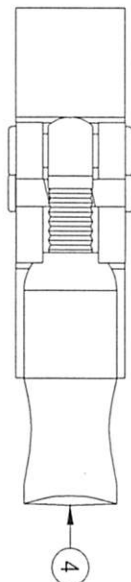
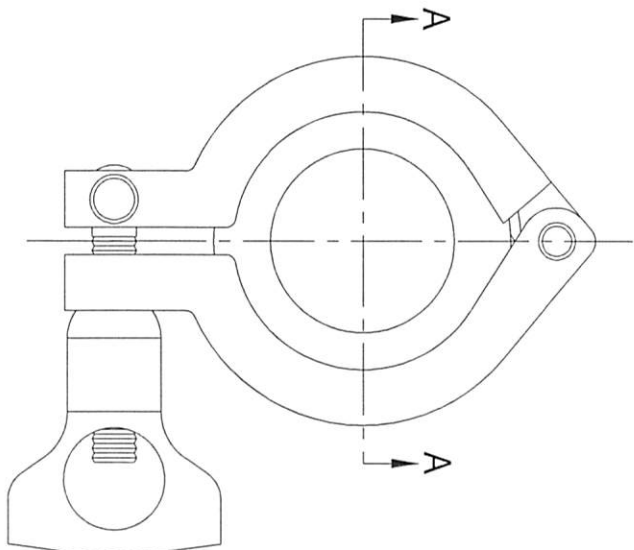


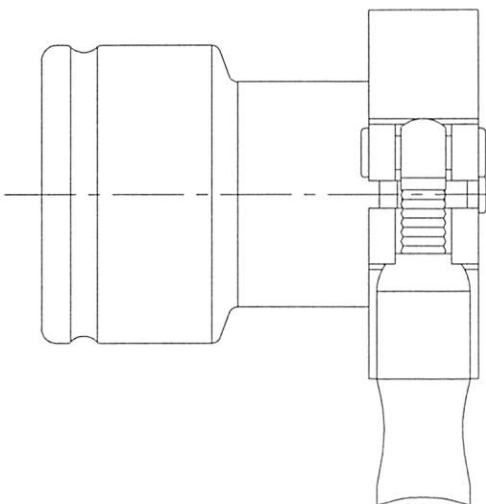
TOP VIEW



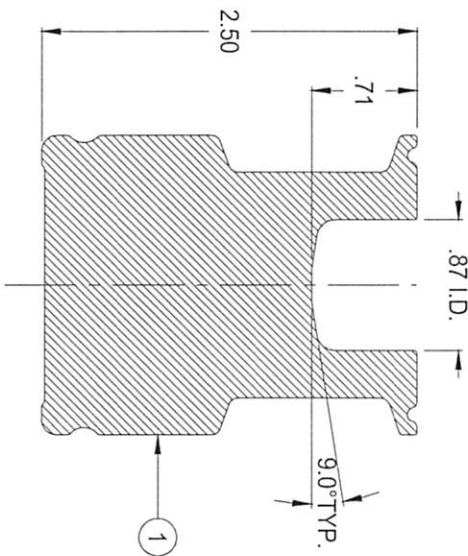
#	Qty.	Description
1	1	STB-5 (5 ml) VESSEL with
1	1	1" TC OPENING (T-316L-SS)
2	1	1" TC GASKET
3	1	1" TC ENDCAP (T-316L-SS)
4	1	HEAVY-DUTY TC CLAMP (T-304-SS)

** TC = TRI CLAMP

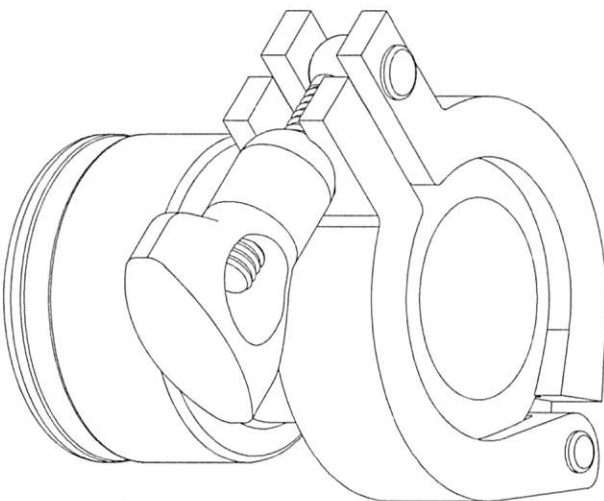
CONFIDENTIAL
Property of
Eagle Stainless Container



FRONT VIEW



A-A SECTION VIEW



EAGLE
STAINLESS
www.eaglestainless.com

816 NINA WAY
WARMINSTER PA 18974
TEL#: 215-957-9333
FAX#: 215-957-9330

DRAWING#: STB5A-1-01A
MATERIAL: See Table on Drawing for Detail
CAPACITY: 5.0 mL (ACTUAL CAPACITY: 6.3 mL)
FINISH: 10 Ra (ELECTROPOLISHED)
MODEL #: STB-5

DRAWN BY: BEN S. KWON
DATE: 02/06/2017
APPROVED BY: (Signature)
NOTE: ALL DIMENSIONS ARE IN INCHES.
DO NOT SCALE
APPROVED BY (CUSTOMER SIGNATURE):

PROPERTY OF ESC. DO NOT DUPLICATE OR DISTRIBUTE.

TOLERANCES UNLESS OTHERWISE SPECIFIED	
THREE PLACE DECIMAL	+/- .010"
TWO PLACE DECIMAL	+/- .050"
ONE PLACE DECIMAL	+/- .100"
FRACTIONS	+/- 1/32"
ANGULARITY	+/- 1/2 deg