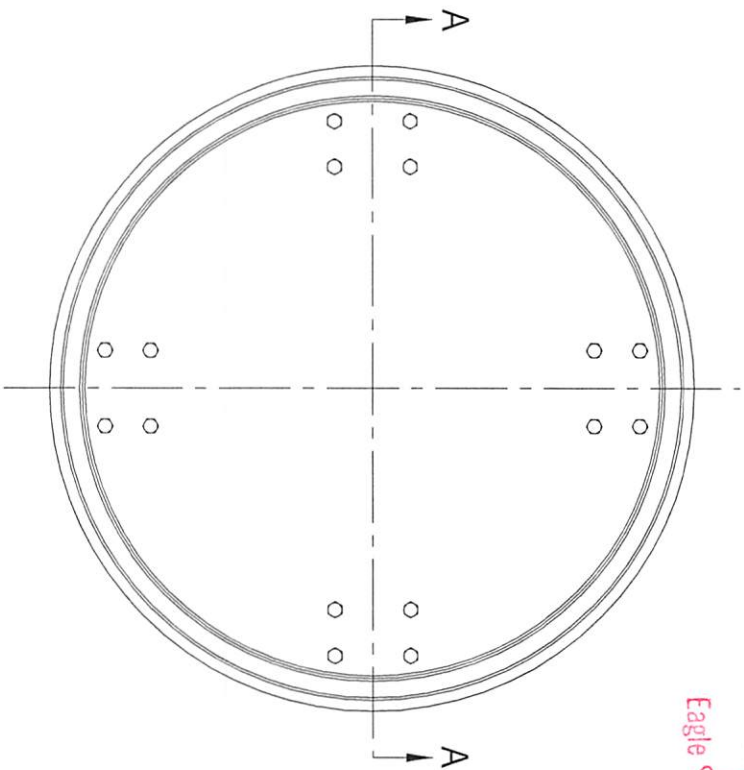
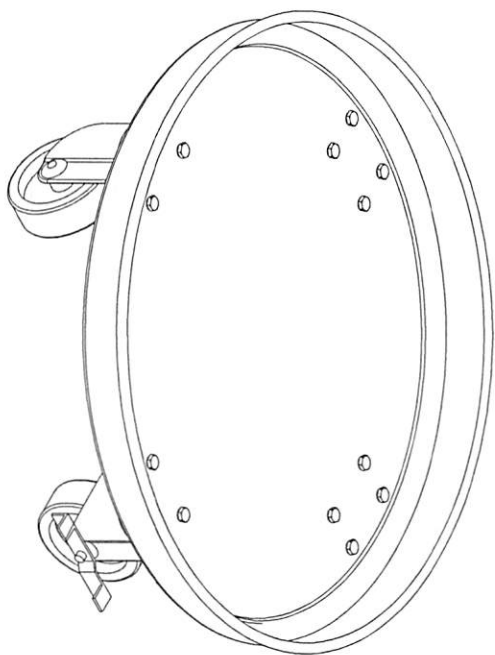


TOP VIEW

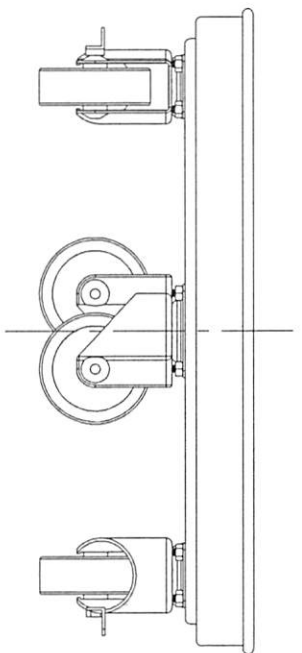


**CONFIDENTIAL**  
Property of  
Eagle Stainless Container

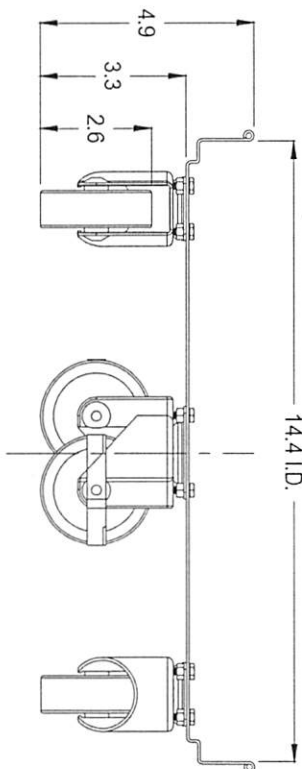


- \* MATERIAL of CONSTRUCTION --- T-304-SS
- \* MATERIAL of CASTERS --- CHROME-PLATED CARBON STEEL
- \* MATERIAL of WHEEL --- WHITE NYLON URETHANE
- \* DOLLY HAS FOUR SWIVEL CASTERS, TWO with BRAKES

FRONT VIEW



A-A SECTION VIEW



PROPERTY OF ESC. DO NOT DUPLICATE OR DISTRIBUTE.

**EAGLE**  
STAINLESS  
www.eaglestainless.com

816 NINA WAY  
WARMINSTER PA 18974  
TEL#: 215-957-9333  
FAX#: 215-957-9330

Customer and/or Vendor agrees to keep confidential the contents of any documents and materials including but not limited to Quotation(s), Invoice(s), Purchase Order(s), and Drawing(s) that Eagle Stainless provides to Customer and/or Vendor and acknowledges that they are trade secrets of Eagle Stainless. Customer and/or Vendor agrees to indemnify Eagle Stainless for all damages including all attorney's fees and costs incurred in connection with any unauthorized use or disclosure of such confidential information by any of Customer and/or Vendor's employees or agents.

DRAWING#: KMCP3CA-1-01A  
MATERIAL: See Note on Drawing for Detail  
CAPACITY: N/A  
FINISH: N/A  
MODEL #: KMCP-36 DOLLY

DRAWN BY: BEN S. KWON  
DATE: 02/14/2018  
(1) APPROVED BY: *BKW*  
(2) APPROVED BY: *BKW*  
NOTE: ALL DIMENSIONS ARE INCHES  
DO NOT SCALE.  
APPROVED BY (CUSTOMER SIGNATURE):

TOLERANCES UNLESS OTHERWISE SPECIFIED	
THREE PLACE DECIMAL	+/- .010"
TWO PLACE DECIMAL	+/- .125"
ONE PLACE DECIMAL	+/- .250"
FRACTIONS	+/- .132"
ANGULARITY	+/- 1/2 deg
RADIUS	+/- 1/32" .031"