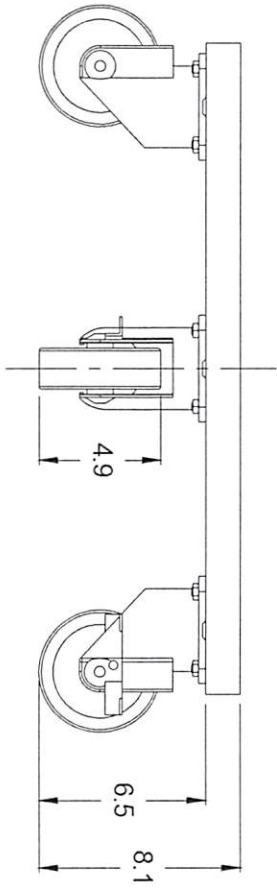
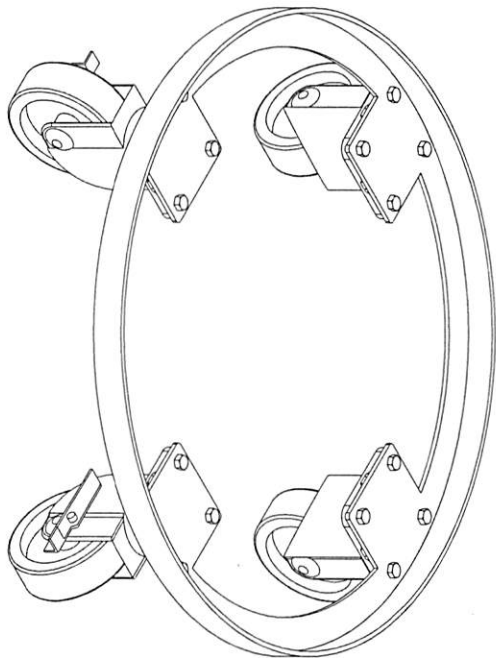
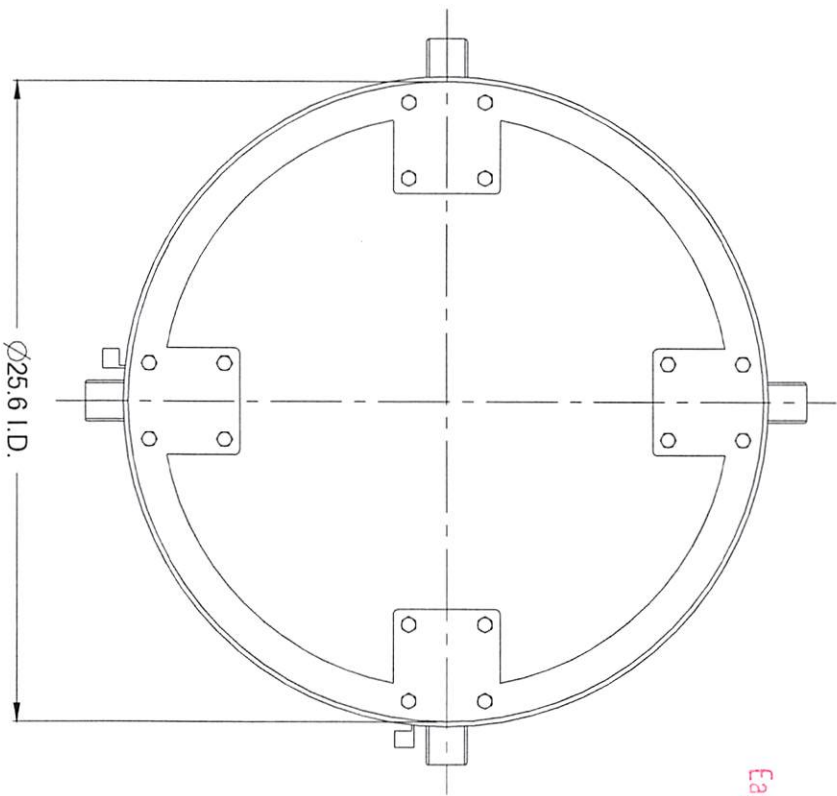


CONFIDENTIAL
Property of
Eagle Stainless Container



- * MATERIAL of CONSTRUCTION --- T-304-SS
- * MATERIAL of CASTERS --- CHROME-PLATED CARBON STEEL
- * MATERIAL of WHEEL --- RUBBER
- * DOLLY HAS FOUR SWIVEL CASTERS, TWO with BRAKES

PROPERTY OF ESC. DO NOT DUPLICATE OR DISTRIBUTE

EAGLE
STAINLESS
www.eaglestainless.com

816 NINA WAY
WARMUNSTER PA 18974
TEL#: 215-957-9333
FAX#: 215-957-9330

Customer and/or Vendor agrees to keep confidential the contents of any documents and materials including but not limited to Quotation(s), Invoice(s), Purchase Order(s) and Drawing(s) that Eagle Stainless provides to Customer and/or Vendor and acknowledges that they are trade secrets of Eagle Stainless. Customer and/or Vendor agrees to indemnify Eagle Stainless for all damages (including all attorneys' fees and costs incurred) in connection with any unauthorized use or disclosure of such confidential information by any of Customer and/or Vendor's employees or agents.

DRAWING# : KMPC635A-1-01A	DRAWN BY : BEN S. KWON	DATE : 06/01/2018	TOLERANCES UNLESS OTHERWISE SPECIFIED
MATERIAL : SEE NOTE ON DRAWING for DETAIL	(1) APPROVED BY : <i>[Signature]</i>	(2) APPROVED BY : <i>[Signature]</i>	THREE PLACE DECIMAL
CAPACITY : N/A	NOTE : ALL DIMENSIONS ARE IN INCHES.	DO NOT SCALE	TWO PLACE DECIMAL
FINISH : N/A			ONE PLACE DECIMAL
MODEL # : KMPC-635 DOLLY	APPROVED BY (CUSTOMER SIGNATURE):		FRACTIONS
			ANGULARITY
			RADIUS
			+/- .010"
			+/- .125"
			+/- .250"
			+/- .125°
			+/- .12 deg
			+/- .125" - .031"