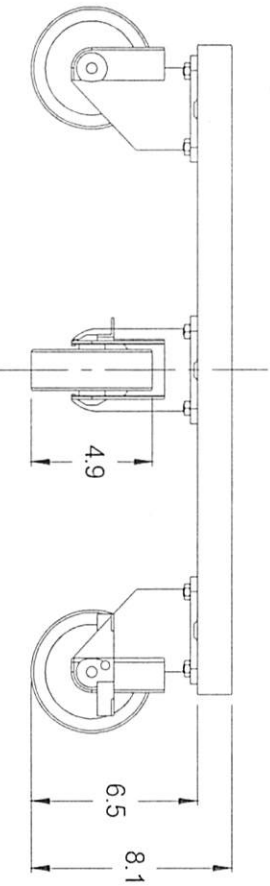
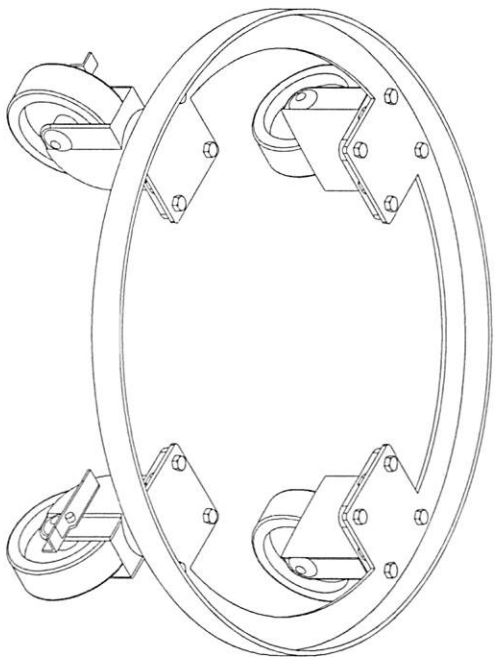
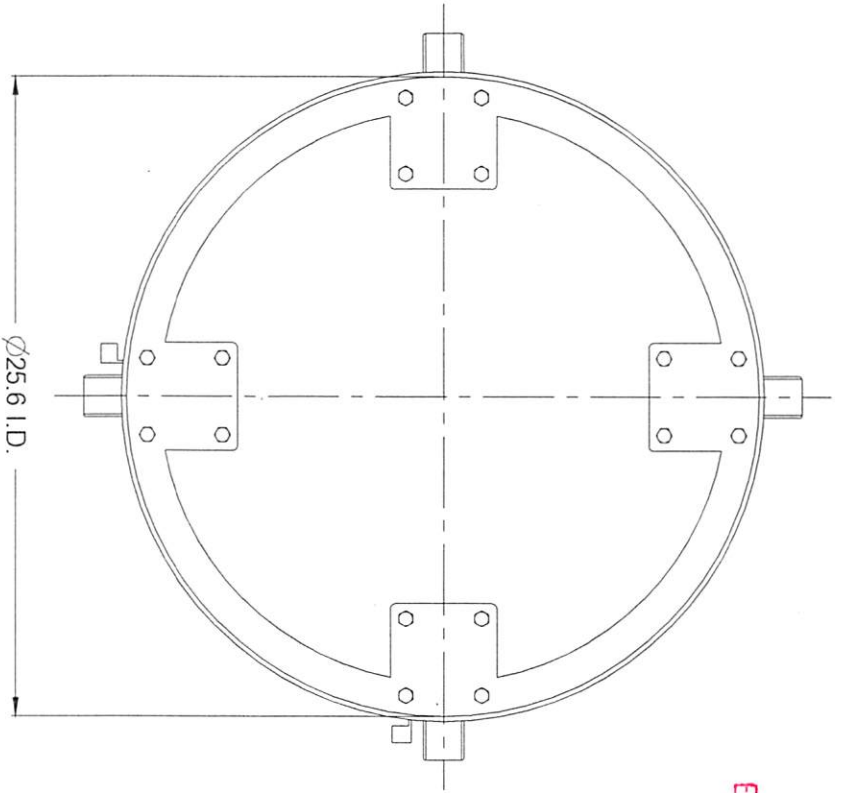


CONFIDENTIAL
Property of
Eagle Stainless Container



- * MATERIAL of CONSTRUCTION --- T-304-SS
- * MATERIAL of CASTERS --- STAINLESS STEEL
- * MATERIAL of WHEEL --- NYLON-URETHANE
- * DOLLY HAS FOUR SWIVEL CASTERS, TWO with BRAKES

PROPERTY OF ESC. DO NOT DUPLICATE OR DISTRIBUTE.

EAGLE
STAINLESS
www.eaglestainless.com

816 NINA WAY
WARMINSTER PA 18974
TEL# : 215-957-9333
FAX# : 215-957-9330

Customer and/or Vendor agrees to keep confidential the contents of any documents and materials including but not limited to Quotations, Invoices, Purchase Orders, and Drawings that Eagle Stainless provides to Customer and/or Vendor and acknowledges that they are trade secrets of Eagle Stainless. Customer and/or Vendor agrees to indemnify Eagle Stainless for all damages (including all attorney's fees and costs incurred) in connection with any unauthorized use or disclosure of such confidential information by any of Customer and/or Vendor's employees or agents.

DRAWING# : KM335B-1.01A
MATERIAL : SEE NOTE ON DRAWING for DETAIL
CAPACITY : N/A
FINISH : N/A
MODEL # : KMSSC-653 DOLLY

DRAWN BY : BEN S. KWON
(1) APPROVED BY: *[Signature]*
NOTE: ALL DIMENSIONS ARE INCHES
DO NOT SCALE
APPROVED BY (CUSTOMER SIGNATURE):

DATE : 06/29/2018
(2) APPROVED BY: *[Signature]*

TOLERANCES UNLESS OTHERWISE SPECIFIED	
THREE PLACE DECIMAL	+/- .010"
TWO PLACE DECIMAL	+/- .125"
ONE PLACE DECIMAL	+/- .250"
FRACTIONS	+/- .125"
ANGULARITY	+/- .002 deg
RADIUS	+/- .125" - .031"