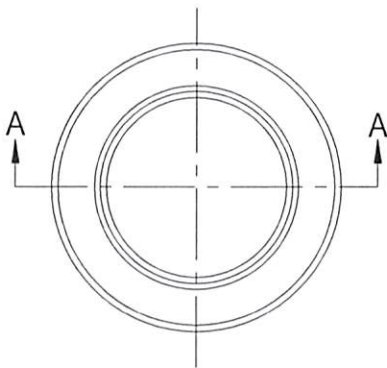


TOP VIEW



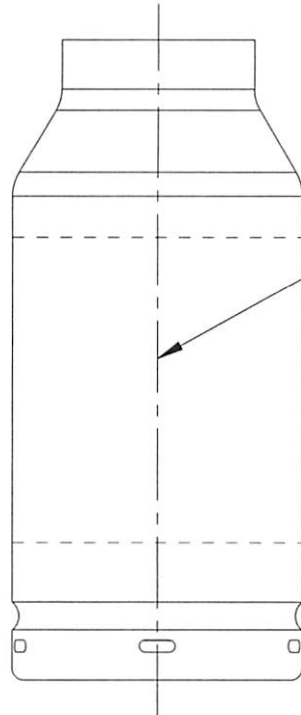
*** ASME PRESSURE VESSEL**

MATERIAL : TYPE 316L STAINLESS STEEL
 PLATE PER A.S.M.E. SPEC. SA-240
 BAR STOCK PER A.S.M.E. SPEC. SA-479

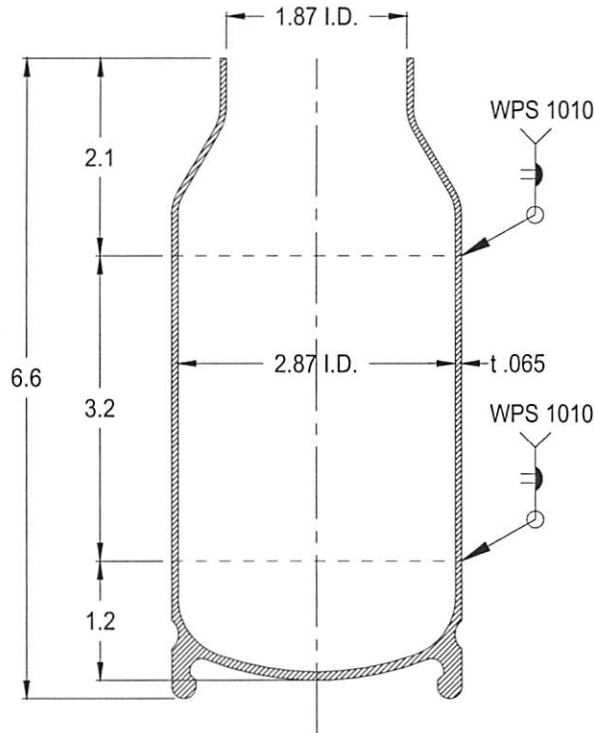
CONFIDENTIAL
 Property of
 Eagle Stainless Container

NOTES :

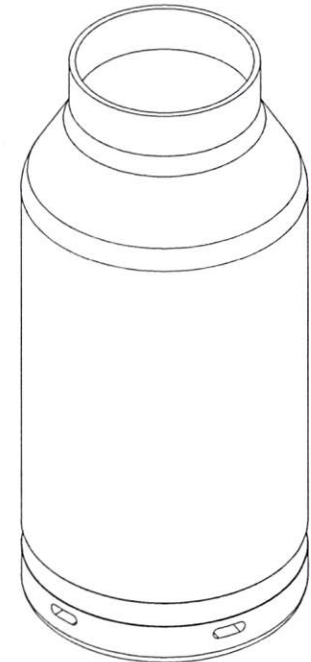
1. CONSTRUCTION MEETS LATEST A.S.M.E. "SEC. VIII DIV. 1" 2021 EDITION
2. ALL WELDS TO BE GTAW - WPS 1010 REV. 0
3. MAXIMUM WORKING PRESSURE : 200 psi @ 100° F
4. HYDROSTATIC TEST : 300 psi @ ROOM TEMP.
5. INSIDE SURFACE FINISH : 12 Ra or BETTER Micro-inch INCL. ELECTROPOLISHED (optional)
 WELDS ARE GROUND SMOOTH & FLUSH
 TOP GIRTH SEAM WILL BE POLISHED.
6. HELIUM LEAK TEST HELIUM LEAK RATE : 1×10^{-5} mbar L/SEC. or BETTER (optional)



FRONT VIEW



A-A SECTION VIEW



PROPERTY OF ESC. DO NOT DUPLICATE OR DISTRIBUTE.

EAGLE STAINLESS
 816 NINA WAY
 WARMINSTER PA 18974
 TEL# : 215-957-9333
 FAX# : 215-957-9330
 www.eaglestainless.com

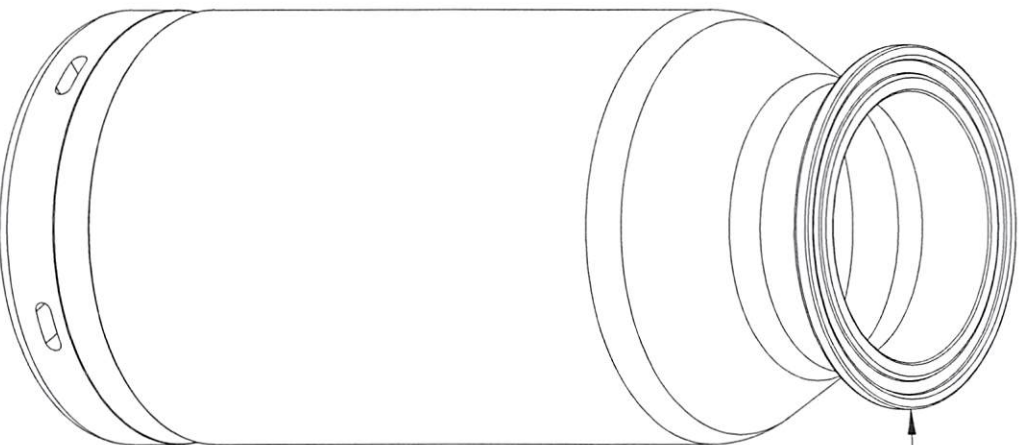
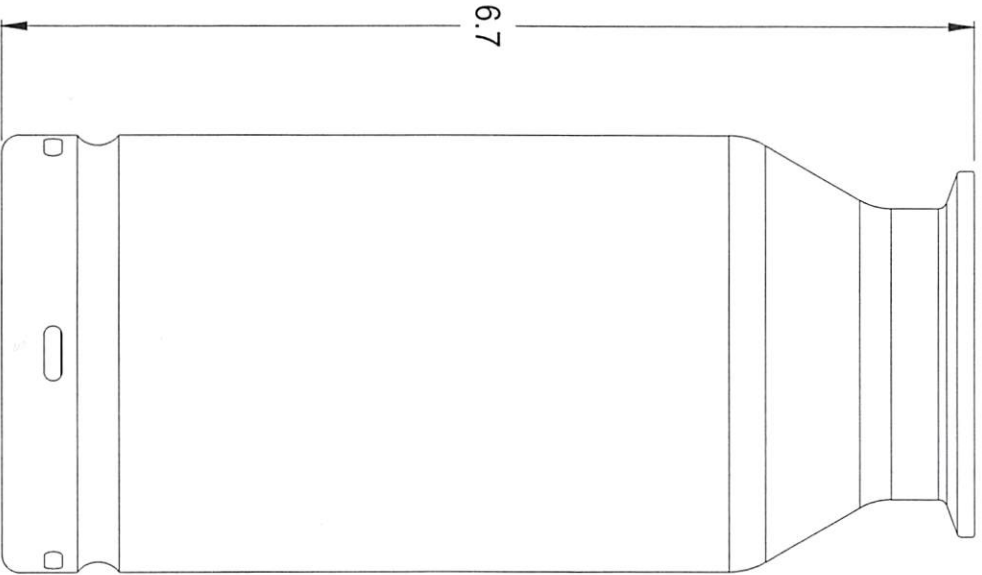
Customer and/or Vendor agrees to keep confidential the contents of any documents and materials including but not limited to Quotation(s), Invoice(s), Purchase Order(s), and Drawing(s) that Eagle Stainless provides to Customer and/or Vendor and acknowledges that they are trade secrets of Eagle Stainless. Customer and/or Vendor agrees to indemnify Eagle Stainless for all damages (including all attorneys' fees and costs incurred) in connection with any unauthorized use or disclosure of such confidential information by any of Customer and/or Vendor's employees or agents.

DRAWING# : EPV500E-E21-1-01A
 MATERIAL : See Note on Drawing for Detail.
 CAPACITY : 500.0 ml
 FINISH : See Note on Drawing for Detail.
 JOB# : EPV500E-E21

DRAWN BY : BEN S. KWON
 DATE : 02/01/2022
 (1) APPROVED BY : *[Signature]*
 (2) APPROVED BY : *[Signature]*
 NOTE : ALL DIMENSIONS ARE INCHES.
 DO NOT SCALE.
 APPROVED BY (CUSTOMER SIGNATURE) :

TOLERANCES UNLESS OTHERWISE SPECIFIED	
THREE PLACE DECIMAL	+/- .010"
TWO PLACE DECIMAL	+/- .100"
ONE PLACE DECIMAL	+/- .200"
FRACTIONS	+/- 1/32"
ANGULARITY	+/- 1/2 deg.

CONFIDENTIAL
Property of
Eagle Stainless Container



2" TRI-CLAMP

6.7

EAGLE
STAINLESS
W W W . e a g l e s t a i n l e s s . c o m

816 NINA WAY
WARMINSTER PA 18974
TEL# : 215-957-9333
FAX# : 215-957-9330

DRAWING# : EPV500E-E21-1-01B
MATERIAL : T-316L-SS
CAPACITY : 500.0 ml
FINISH : See Drawing# EPV5E-E21-1-01A for Detail
JOB # : EPV500E-E21

DRAWN BY : BEN S. KWON
DATE : 02/01/2022
(1) APPROVED BY : *[Signature]*
(2) APPROVED BY : *[Signature]*
NOTE : ALL DIMENSIONS ARE INCHES.
DO NOT SCALE
APPROVED BY (CUSTOMER SIGNATURE) :

PROPERTY OF ESC. DO NOT DUPLICATE OR DISTRIBUTE.

TOLERANCES UNLESS OTHERWISE SPECIFIED	
THREE PLACE DECIMAL	+/- .010"
TWO PLACE DECIMAL	+/- .100"
ONE PLACE DECIMAL	+/- .200"
FRACTIONS	+/- 1/32"
ANGULARITY	+/- 1/2 deg