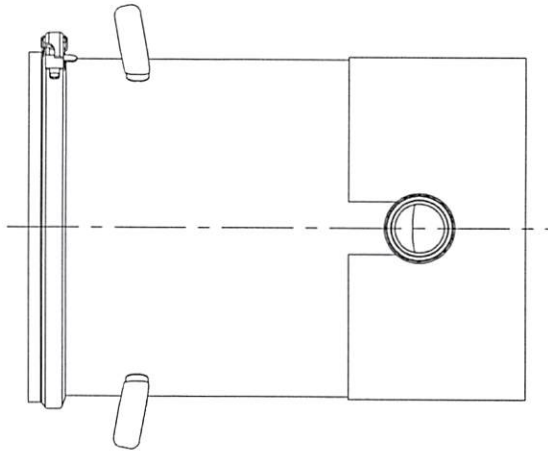
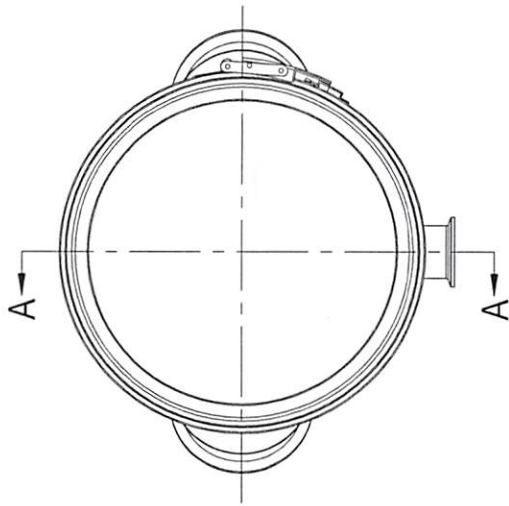
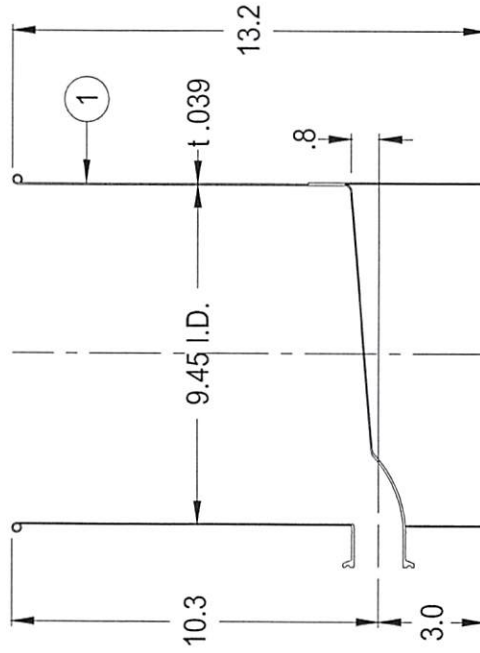


CONFIDENTIAL
Property of
Eagle Stainless Container

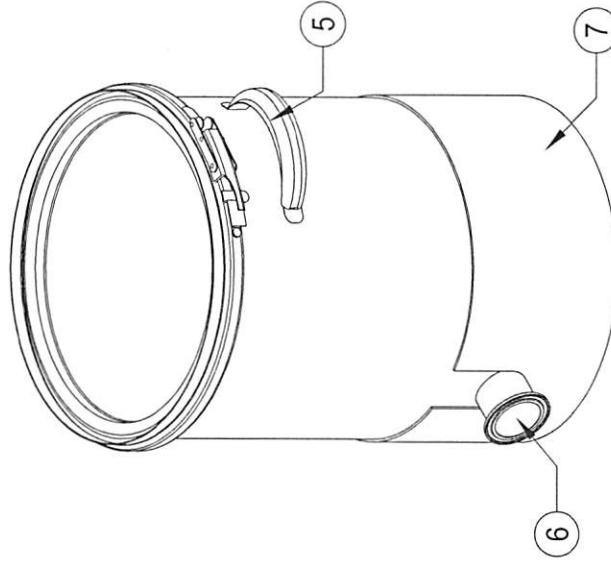
TOP VIEW



FRONT VIEW



A-A SECTION VIEW



#	Qty.	Description
1	1	KTTCTL-24 CONTAINER (T-316L-SS)
2	1	CTL-24 GASKET
3	1	CTL-24 LID (T-316L-SS)
4	1	LOCK-LEVER RING CLAMP (T-304-SS)
5	2	HOLLOW HANDLES (T-304-SS)
6	1	1-1/2" TC FERRULE (T-316L-SS)
7	1	SKIRT (T-304-SS)

* NOT TO BE USED WITH PRESSURE OR VACUUM
** TC = TRI CLAMP

EAGLE
STAINLESS
www.eaglestainless.com

816 NINA WAY
WARMINSTER PA 18974
TEL#: 215-957-9333
FAX#: 215-957-9330

DRAWING# : KTTCTL24A-1-01A
MATERIAL : See Table on Drawing for Detail
CAPACITY : 10.0 L (ACTUAL CAPACITY : 11.0 L)
FINISH : 10 Ra
MODEL # : KTTCTL-24

DRAWN BY : BEN S. KWON
(1) APPROVED BY : *[Signature]*
DATE : 09/28/2023
(2) APPROVED BY : *[Signature]*
NOTE : ALL DIMENSIONS ARE INCHES.
DO NOT SCALE.
APPROVED BY (CUSTOMER SIGNATURE) :

TOLERANCES UNLESS OTHERWISE SPECIFIED	
THREE PLACE DECIMAL	+/- .010"
TWO PLACE DECIMAL	+/- .125"
ONE PLACE DECIMAL	+/- .250"
FRACTIONS	+/- .132"
ANGULARITY	+/- .12 deg.

PROPERTY OF ESC. DO NOT DUPLICATE OR DISTRIBUTE.